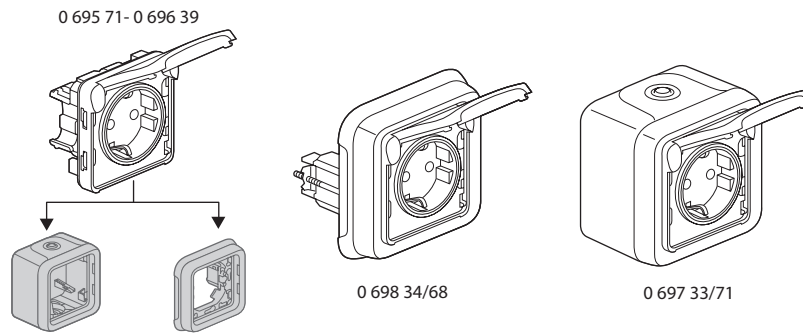


**Plexo™**  
**2 P+E socket outlets - German Standard**

Cat. No(s): 0 695 71 - 0 696 39 - 0 697 33/71  
 0 698 33/34/68/69 - 0 707 22/72/73



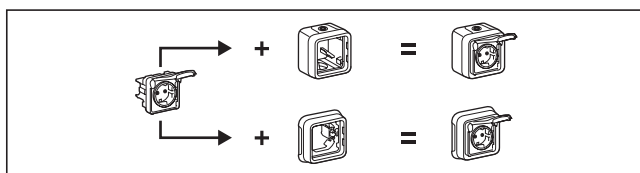
**1. USE**

2 P+E socket outlets with shutters.

1. Waterproof electrical equipment for residential and professional technical installations (garages, cellars, car parks, workshops, industrial kitchens, etc.) and outdoor environments (terraces, gardens, camp sites, etc.).
2. Waterproof wiring devices system made of antimicrobial material based on Ag+ silver ions.

**2. RANGE**

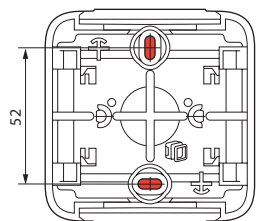
Designation	Colour	References		
		Composable	Surface mounting complete	Flush mounting complete
2 P+E socket with screws	Grey	0 695 71	0 697 33	0 698 33
	White	0 696 39	0 697 71	0 698 69
	White antimicrobial	0 707 22	-	0 707 72
2 P+E socket with claws	Grey	-	-	0 698 34
	White	-	-	0 698 68
	White antimicrobial	-	-	0 707 73



**3. INSTALLATION**

**3.1 Surface mounting**

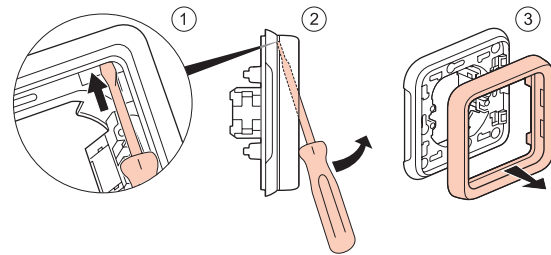
- Back body is mounted on the support using two screws, max. Ø 3 to 4 mm.



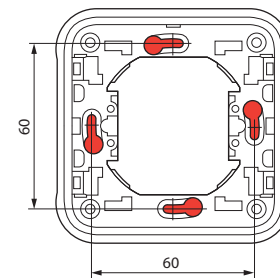
**3.2 Flush mounting (continued)**

**3.2 Flush mounting**

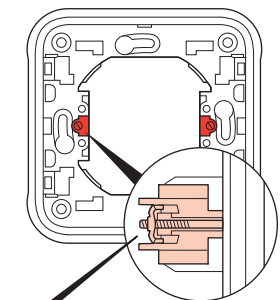
- Frame dismantling



- By screwing onto a flush-mounting box



- By claws onto a flush-mounting box

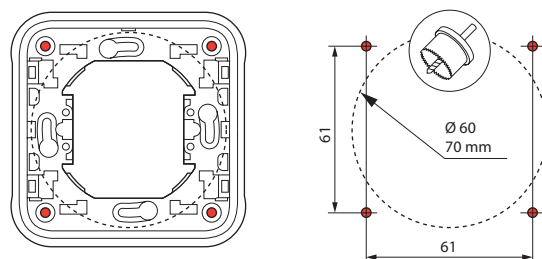


Possibility to place claws:  
 Cat. No. 0 849 00 or Cat. No. 0 849 01 (long claw)

- Screw-mounted in flush-mounting box.

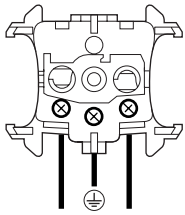
- Mounting on base plate using 4 screws, Ø 4 mm.

Opening cut in base-plate, Ø 60 - 70 mm using a circular saw or a punch



**4. CONNECTION**

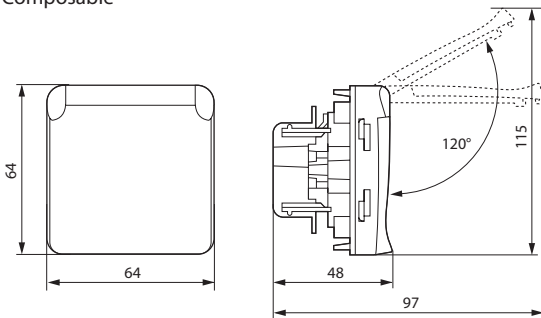
■ **Connection to conductors**



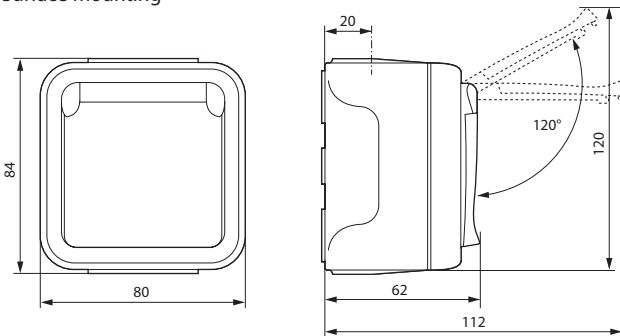
Type of terminals: with screws  
 Terminal capacity: 1.5 mm<sup>2</sup> and 2.5 mm<sup>2</sup> (1 or 2 wires).  
 Max. tightening torque: 0.8 Nm  
 Screwdriver required: flat blade 3.5 to 5 mm, or Phillips No.1  
 Stripping length: 8 mm.

**5. DIMENSIONS (mm)**

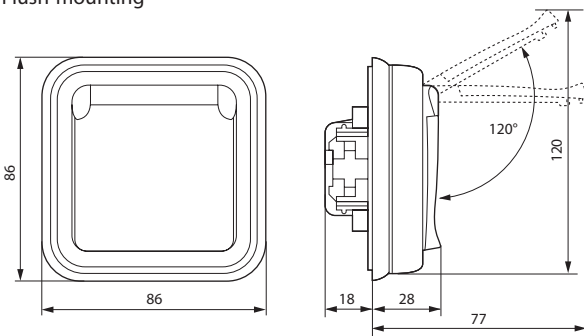
Composable



Surface mounting



Flush-mounting



**6. GENERAL CHARACTERISTICS**

■ **6.1 Protection index (shutter closed)**

Protection against solid bodies and liquids: IP 55  
 Protection against impact: IK 07

■ **6.2 Material characteristics**

Box, support: PP (filled Polypropylene)  
 Plate, flap: ABS  
 Entry gland: PP + SEBS  
 Mechanism: PC

**6. GENERAL CHARACTERISTICS (continued)**

Antimicrobial treatment for Cat. No. 0 707 22/72/73

	Reduction coefficient
Aspergillus niger	Log 0.04
Bacillus cereus	Log 0.44
Bacillus subtilis	Log 0.13
Candida albicans	Log 1.11
Enterovirus Polio 1	Log 0.2
Escherichia Coli	Log 4.7
Myobacterium Avium	Log 1.61
Myobacterium Terrae	Log 1.45
Pseudomonas aeruginosa	Log 5.8
Staphylococcus aureus	Log 4.02

	Reduction coefficient
Aspergillus niger	Log 0
Bacillus cereus	Log 0.05
Bacillus subtilis	Log 0.09
Candida albicans	Log 0.86
Enterovirus Polio 1	Log 1
Escherichia Coli	Log 6.3
Myobacterium Avium	Log 0.04
Myobacterium Terrae	Log 1.21
Pseudomonas aeruginosa	Log 4.4
Staphylococcus aureus	Log 2.67

(Reminder: log 4 = 99.99% ; log 3 = 99.9% ; log 2 = 99% ; log 1 = 90%)

Test carried out according to standards JIS Z 2801: 2000 and JIS Z 2801: 2006

Test report available on request.

UV resistant.

Resistance to salt spray: 7 days (168 h)

Self-extinguishing:

+ 850°C / 30 s for insulating components holding in place live parts.  
 + 650°C / 30 s for the other insulating components.

■ **6.3 Electrical characteristics**

Current: 16 A  
 Voltage: 250 V~  
 Frequency: 50 Hz

■ **6.4 Climatic characteristics**

Storage temperature: - 25° C to +70° C  
 Use temperature: - 25° C to + 40° C

**7. CLEANING**

Surfaces may be cleaned using a cloth, either dry or with soapy water. Do not use acetone, spirits or trichloroethylene.

**Caution:** Conduct preliminary tests before using any specific cleaning product.

**8. COMPLIANCES AND APPROVALS**

Compliance with standards of installation and manufacturing. Refer to e.catalogue.