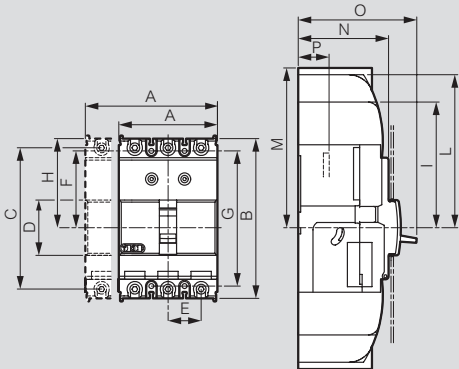


# DPX<sup>3</sup> 160/250

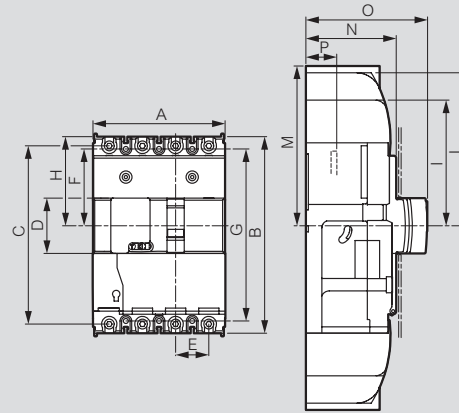
## technical characteristics

### DPX<sup>3</sup> 160 thermal magnetic dimensions

#### Fixed version



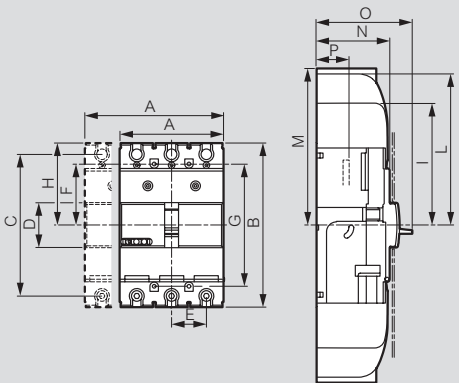
#### Fixed version with earth leakage module



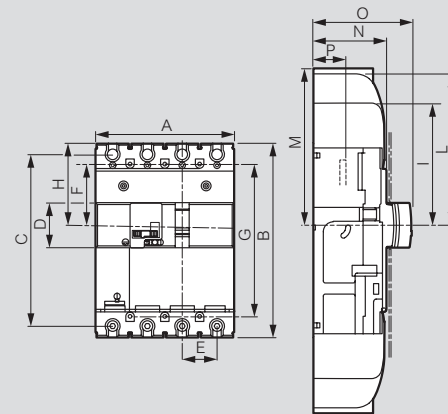
	A	B	C	D	E	F	G	H	I	L	M	N	O	P
3P	81	130	115	45	27	62.5	110	72.5	102.5	125	-	74	100	18
4P	108	130	115	45	27	62.5	110	72.5	102.5	125	-	74	100	18
e.l.c.bs	108	160	145	45	27	62.5	140	72.5	102.5	125	-	74	100	18

### DPX<sup>3</sup> 250 thermal magnetic and electronic release dimensions

#### Fixed version



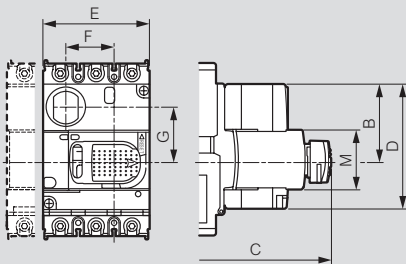
#### Fixed version with earth leakage module



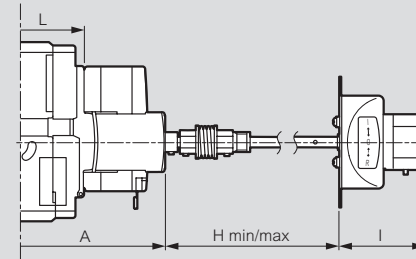
	A	B	C	D	E	F	G	H	I	L	M	N	O	P
3P	105	165	142.5	45	35	61.5	123	82.5	112.5	150	-	74	100	18
4P	140	165	142.5	45	35	61.5	123	82.5	112.5	150	-	74	100	18
e.l.c.bs	140	195	172.5	45	35	61.5	153	82.5	112.5	150	-	74	100	18

### Dimensions

#### Direct rotary handles Cat.Nos 4 210 00/01/02/03



#### Vari-depth rotary handles Cat.Nos 4 210 04/05



	A	B	C	D	E	F	G	H min	H max	I	L	M
160	122	57	155	94	80.5	36.5	41.7	132	361	62	74	45
160 with e.l.c.bs	122	57	155	94	93	36.5	41.7	132	361	62	74	45
250	122	57	155	94	80.5	40.5	41.7	132	361	62	74	45
250 with e.l.c.bs	122	57	155	94	93	40.5	41.7	132	361	62	74	45
250 electronic release	122	57	155	94	93	40.5	41.7	132	361	62	74	45
250 electronic release with e.l.c.bs	122	57	155	94	93	40.5	41.7	132	361	62	74	45