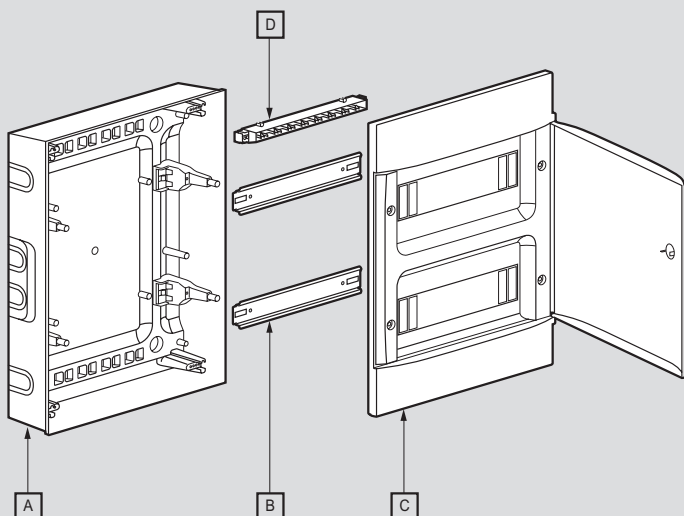


Practibox S

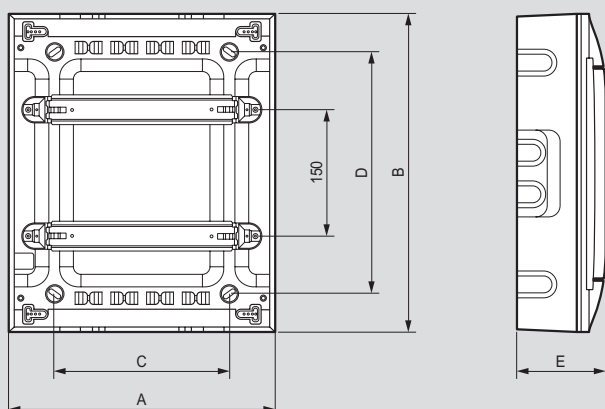
surface mounting cabinets - technical characteristics

Composition of distribution cabinets from 4 to 72 modules



A: surface mounting box
 B: rail
 C: removable faceplate with white or transparent door
 D: terminal blocks (depending on the cabinet version)

Dimensions



Cat.Nos	Dimensions (mm)				
	A	B	C	D	E
1 341 04/14/24/34 / 1 342 04/14	184	216	72	120	100
1 341 08/18/28/38 / 1 342 08/18	256	226	150	120	100
1 351 01/11/21/31 / 1 352 01/11	328	236	210	140	107
1 351 02/12/22/32 / 1 352 02/12	328	386	210	290	108
1 351 03/13/23/33 / 1 352 03/13	328	536	210	440	108
1 351 04/14/24/34 / 1 352 04/14	328	766	210	600	108
1 371 06/16/26/36 / 1 372 06/16	436	236	320	140	107
1 371 07/17/27/37 / 1 372 07/17	436	386	320	290	108
1 371 08/18/28/38 / 1 372 08/18	436	616	320	470	108
1 371 09/19/29/39 / 1 372 09/19	436	766	320	620	108
1 371 05/15/25/35 / 1 372 05/15	508	236	390	140	107

Number of blanking plates supplied per enclosure

Cat.Nos	Number of blanking plates 5 modules
1 341 04/14/24/34 / 1 342 04/14	-
1 341 08/18/28/38 / 1 342 08/18	-
1 351 01/11/21/31 / 1 352 01/11	-
1 351 02/12/22/32 / 1 352 02/12	1
1 351 03/13/23/33 / 1 352 03/13	1
1 351 04/14/24/34 / 1 352 04/14	1
1 371 06/16/26/36 / 1 372 06/16	1
1 371 07/17/27/37 / 1 372 07/17	1
1 371 08/18/28/38 / 1 372 08/18	2
1 371 09/19/29/39 / 1 372 09/19	2
1 371 05/15/25/35 / 1 372 05/15	1

Number of connections per earth terminal block (supplied with enclosure)

Cat.Nos	Earth terminal blocks Screw connection		
	6 - 25 mm ²	1.5 - 16 mm ²	1.5 - 10 mm ²
1 341 24/34	-	2	2
1 341 28/38	-	3	3
1 351 21/31	-	5	5
1 351 22/32	-	8	8
1 351 23/33	-	12	12
1 351 24/34	-	16	16
1 371 25/35	-	8	8
1 371 26/36	1	12	-
1 371 27/37	1	21	-
1 371 28/38	1	34	-
1 371 29/39	1	34	-

Number of connections per neutral and earth terminal block (supplied with enclosure)

Cat.Nos	Neutral terminal blocks Screw connection			Earth terminal blocks Screw connection		
	6 - 25 mm ²	1.5 - 16 mm ²	1.5 - 10 mm ²	6 - 25 mm ²	1.5 - 16 mm ²	1.5 - 10 mm ²
1 342 04/14	-	2	2	-	2	2
1 342 08/18	-	3	3	-	3	3
1 352 01/11	-	5	5	-	5	5
1 352 02/12	-	8	8	-	8	8
1 352 03/13	-	12	12	-	12	12
1 352 04/14	-	16	16	-	16	16
1 372 05/15	-	8	8	-	8	8
1 372 06/16	1	12	-	1	12	-
1 372 07/17	1	21	-	1	21	-
1 372 08/18	1	34	-	1	34	-
1 372 09/19	1	34	-	1	34	-