

# Sliding patch panel

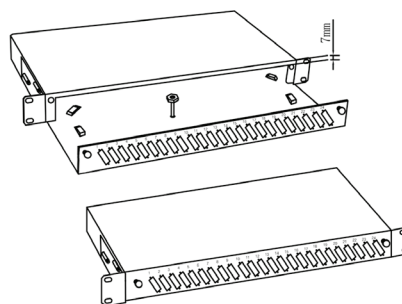
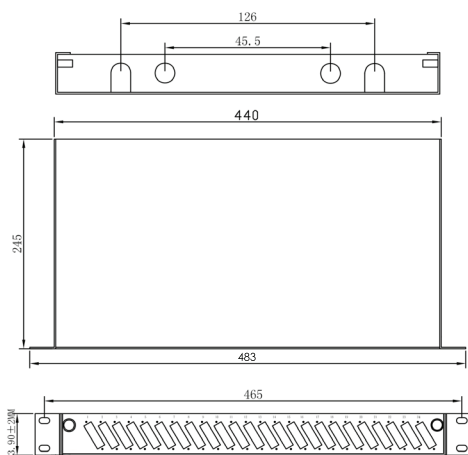
## for 24 x SC-SC Duplex or LC-LC Quad adapters

P/N: RAB-FO-X38-SL



### features

- suitable for SC-SC Duplex or LC-LC Quad adapters
- designed for 19" cabinets
- 4 cable inputs
- set of M6 screws and captive nuts (4 pcs)
- blanking insert (24 pcs)
- cable clamp PG 13,5 (4 pcs)



### construction

Height	1U (44,5 mm)
Width	19" (482,6 mm)
Depth	240 mm
Material	steel
Color	black RAL9005
Surface	structured, shiny

### related products

P/N: KE-SCD-OM3	Adapter SC-SC Duplex
P/N: PIG-06-SC-020	Pigtail SC
P/N: RAB-FO-X04	Splice cassette for 16 splices
P/N: OPT-189	Splice holder for 2 or 4 splices