

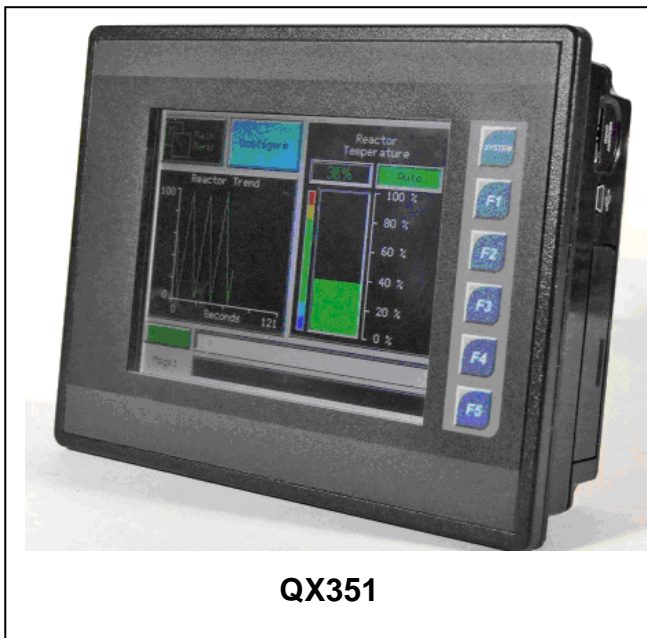


# QX351 Models: HE-QX351 / HEQX351C103

## 1. Specifications

**Table 1 - QX351 Specifications**

Display Type (LCD with Backlight)	5.7" QVGA TFT
Display Size	5.7"
Display Screen Dimensions	320 x 240
Display Memory	2.75MB
User Keys	5 user-defined Function keys and a System key
Screens supported	1023
Colors	32768
Primary power	10 – 30 VDC
Steady state current	500 mA @ 24 VDC
Inrush current	30 A for 1 ms @ 24 VDC – DC Switched 2.5 A for 4 ms @ 24 VDC - AC Switched
<b>Product Descriptions</b>	
Height	5.653" (143.6mm)
Width	7.326" (186.1mm)
Depth	2.2" (55.88mm)
Serial Ports	RS232 & RS485. Software Selectable
Terminal Type	Screw Type, 5mm removable
Weight	23.3 oz (0.66kg)
Portable Memory	Micro SD card slot
Temperature & Humidity	-10°C to +60°C & 5 to 95% Non-condensing
Clock Accuracy	+/- 35 ppm maximum at 25° C (+/- 1.53 Minutes per Month)
CE UL	See Compliance Table at <a href="http://www.heapg.com/Pages/TechSupport/ProductCert.html">http://www.heapg.com/Pages/TechSupport/ProductCert.html</a>
<b>Connectivity</b>	
Smart Stack Modules	Provides a wide variety of I/O options for the QX. Requires little space and are easy to install.
Fiber Optic Extension System (FOX)	Extends a high-speed QX backplane enabling SmartStack I/O Modules to be mounted several meters from the QX. The FOX, also, significantly increases the number of SmartStack I/O modules supported by one QX.
SmartStix Modules	It is a family of remote I/O products for the QX.
Serial Ports	2 Serial Ports – RS232 & RS485
Ethernet	Ethernet (10/100 Mbps)
USB	USB networking port for communication with PC's and programming of controller
Removable Media	Removable Media for up to two gigabytes of storage of programs, data logging or screen captures



## 2. Installation

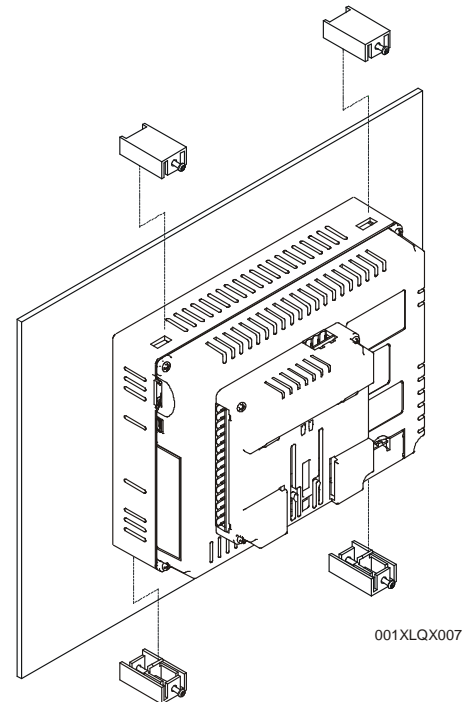
1. Prior to mounting, observe requirements for the panel layout design and spacing/clearances in the OCS QX351 Manual (MAN0892).
2. Cut the host panel.
3. Insert the OCS through the panel cutout (from the front). The gasket material needs to be between the host panel and the OCS

**Caution: Do not force the OCS into the panel cutout. An incorrectly sized panel cutout can damage the touch screen.**

4. Install and tighten the mounting clips (provided with the OCS) until the gasket material forms a tight seal.

**Caution: Do not over-tighten. Over-tightening damages the case**

5. Connect cables as needed such as communications, programming, power and CsCAN cables to the ports using the provided connectors.
6. Begin configuration procedures.

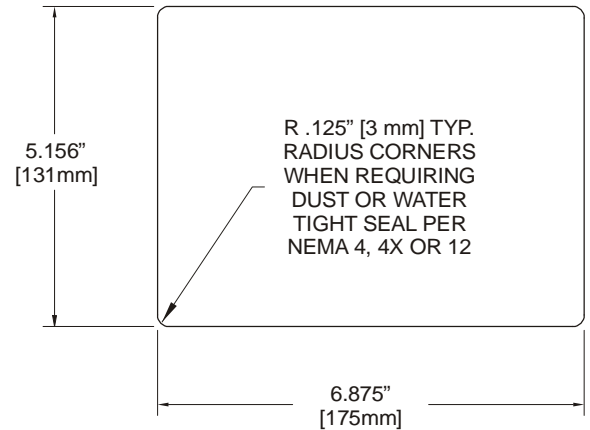
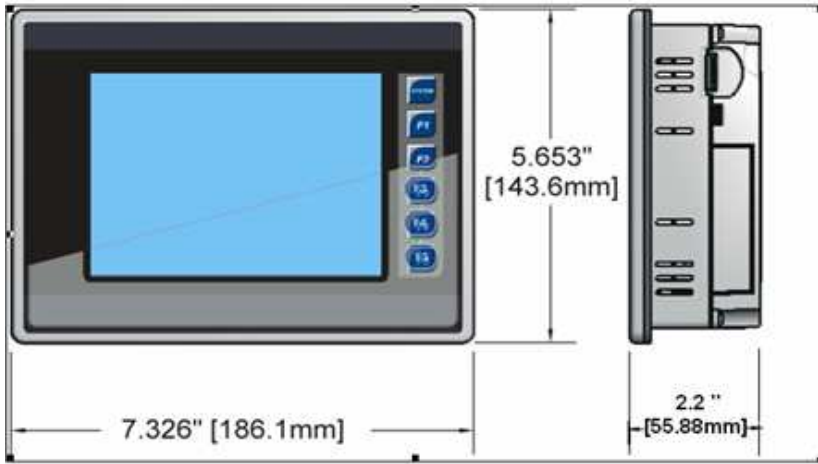


### 3. Panel Cut out and dimensions

Refer to the QX351 User Manual (MAN0892) for panel box information and a handy checklist of requirements.

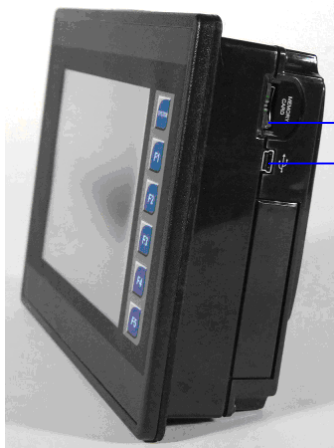
**Note:** The tolerance to meet NEMA standards is  $\pm 0.005"$  (0.1 mm).

**Note:** Max. Panel thickness: 5 mm

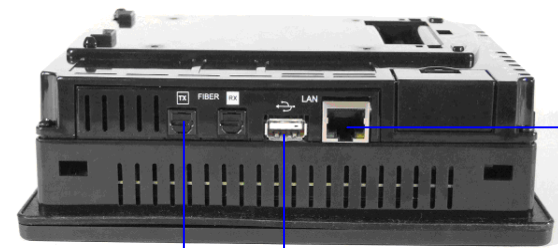


001OCS003-R1

### 4. Ports and Connectors



Removable Media  
USB



Ethernet  
USB A (INACTIVE)  
FOX I/O

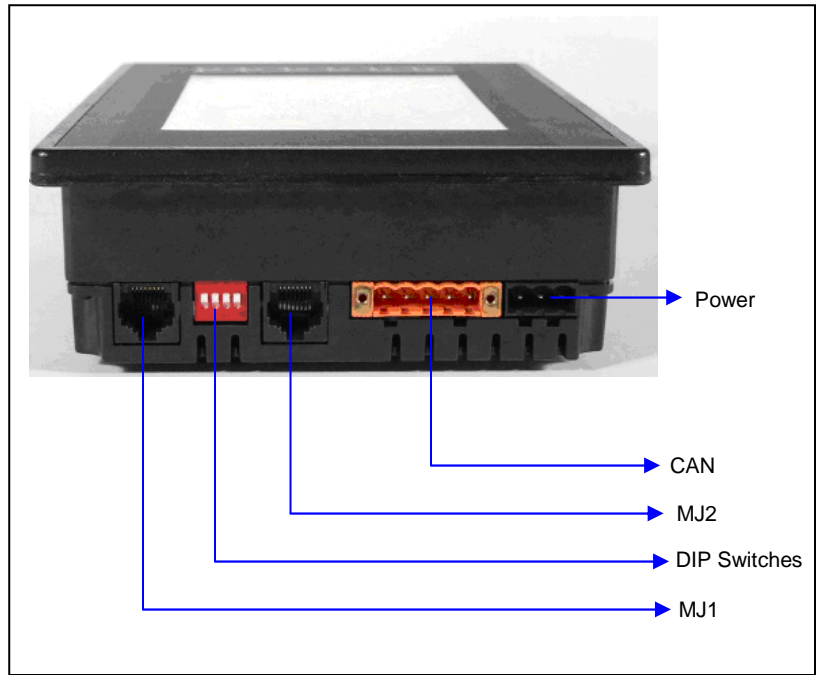
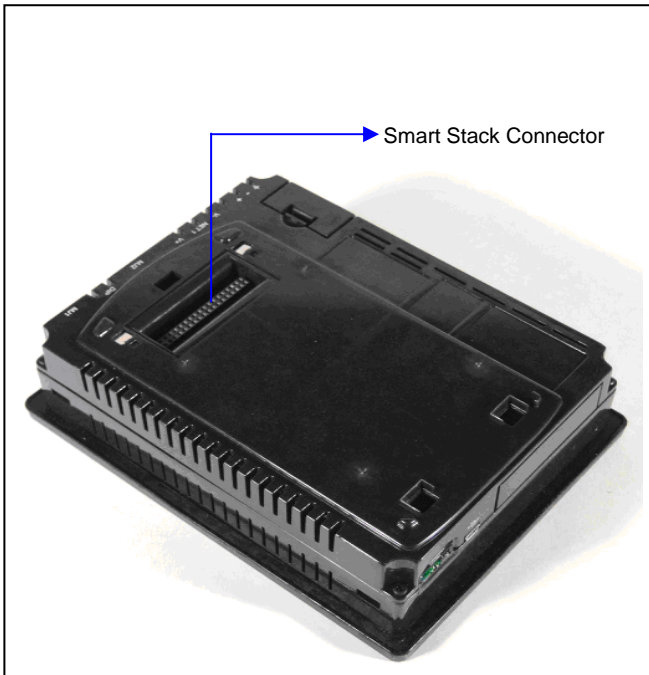
**USB:**  
For network communication and programming of OCS

**FOX I/O:**  
For backplane extension

**Memory Slot:**  
Uses **Removable Memory** for data logging, screen captures, program loading and recipes. **Horner Part No.: HE-MC1**

**Serial Communications:**  
**MJ1:** (RS-232 / RS-485) Use for Cscape programming and Application-Defined Communications.  
**MJ2:** (RS-232 / RS-485) Use for Application-Defined Communications.

**Ethernet:** Used for Cscape programming and Application-Defined Communications.

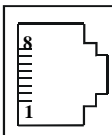


**4.1 Serial Communications:**

**MJ1:** (RS-232 / RS-485) Use for Cscape programming and Application-Defined Communications.

**MJ2:** (RS-232 / RS-485) Use for Application-Defined Communications.

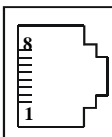
Pin	MJ1 Pins		MJ2 Pins	
	Signal	Direction	Signal	Direction
8	TXD	OUT	TXD	OUT
7	RXD	IN	RXD	IN
6	0 V	Ground	0 V	Ground
5*	+5 60mA	OUT	+5 60mA	OUT
4	RTS	OUT	TX-	OUT
3	CTS	IN	TX+	OUT
2	RX- / TX-	IN / OUT	RX-	IN
1	RX+ / TX+	IN / OUT	RX+	IN



Pin	MJ2 Pins	
	Signal	Direction
8	TXD	OUT
7	RXD	IN
6	0 V	Ground
5*	+5 60mA	OUT
4	TX-	OUT
3	TX+	OUT
2	TX-/RX-	IN/OUT
1	TX+/RX+	IN/OUT

MJ2 Half Duplex Mode

\* +5V 60mA Max



Pin	MJ2 Pins	
	Signal	Direction
8	TXD	OUT
7	RXD	IN
6	0 V	Ground
5*	+5 60mA	OUT
4	TX-	OUT
3	TX+	OUT
2	RX-	IN
1	RX+	IN

MJ2 Full Duplex Mode

\* +5V 60mA Max

Table 2 - Ports and Functions		
Functions	Port 1 (MJ1)	Port 2 (MJ2)
RS-232	✓	✓
Hardware Handshaking	✓	X
Programming	✓	X
Ladder function controlled	✓	✓
Serial Downloadable Protocols	✓	✓
RS 485 Full duplex	✓	✓
RS485 Half duplex	✓	X

### 4.2 Ethernet Port

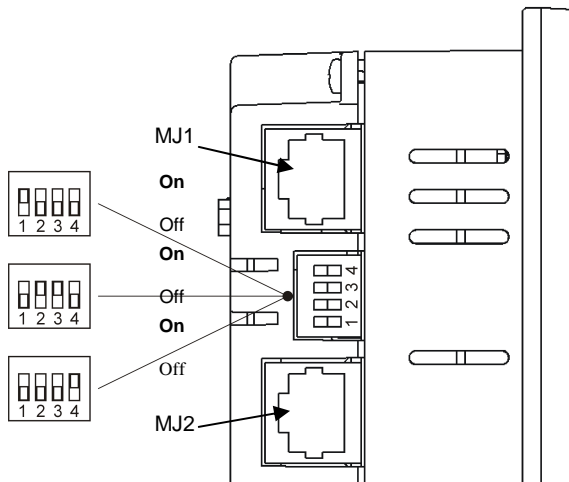
Table 3 - Ethernet Port	
Speeds	10 BaseT Ethernet (10-Mbps) 100 BaseTx Fast Ethernet (100-Mbps)
Modes	Half or Full Duplex
Auto - Negotiation	Both 10/100-Mbps and Half/Full Duplex
Connector Type	Shielded RJ-45
Cable Type (Recommended)	CAT5 (or better) UTP
Port	Auto MDI/MDI-X

### 4.3 External DIP Switch settings

As seen when looking at the side of the QX351 unit:

The DIP Switches are used for termination of the RS-485 ports. The QX351 is shipped un-terminated.

To terminate, select one of the DIP Switches and configure it based upon the option that is desired.

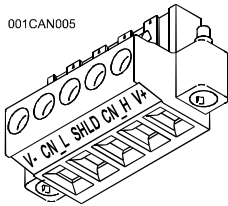


SW1 –  
ON enables **MJ2** RS485 port termination (121 ohms)  
OFF disables **MJ2** RS485 port termination.

SW2 & SW3 –  
ON places **MJ2** RS485 port in half-duplex mode.  
OFF places **MJ2** RS485 port in full-duplex mode.

SW4 –  
ON enables **MJ1** RS485 port termination (121 ohms)  
OFF disables **MJ1** RS485 port termination.

### 4.4 CANOpen Network Port and wiring



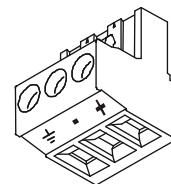
#### CAN Connector

Use the CAN Connector when using CsCAN network.

Torque rating 4.5 – 7 Lb-In  
(0.50 – 0.78 N-m)

NET 1 Port Pin Assignments			
Pin	Signal	Signal Description	Direction
1	V-	CAN Ground	-
2	CN_L	CAN Data Low	In/Out
3	SHLD	Shield Ground	-
4	CN_H	CAN Data High	In/Out
5	NC	No Connect	-

### 4.5 Power port and wiring



#### Power Connector

##### Power Up:

Connect to Earth Ground.  
Apply 10 - 30 VDC.  
Screen lights up.

Torque rating 4.5 – 7 Lb-In  
(0.50 – 0.78 N-m)

Primary Power Port Pins		
Pin	Signal	Description
1	Ground	Frame Ground
2	V-	Input Power Supply Ground
3	V+	Input Power Supply Voltage

## 5. Safety

When found on the product, the following symbols specify:



**Warning:** Electrical Shock Hazard.



**Warning:** Consult user documentation.

This equipment is suitable for use in Class I, Division 2, Groups A, B, C and D or Non-hazardous locations only

**WARNING – EXPLOSION HAZARD** – Do not disconnect equipment unless power has been switched off or the area is known to be non-hazardous.  
**AVERTISSEMENT - RISQUE D'EXPLOSION** - AVANT DE DECONNECTOR L'EQUIPMENT, COUPER LE COURANT OU S'ASSURER QUE L'EMPLACEMENT EST DESIGNÉ NON DANGEREUX.

**WARNING:** To avoid the risk of electric shock or burns, always connect the safety (or earth) ground before making any other connections.

**WARNING:** To reduce the risk of fire, electrical shock, or physical injury it is strongly recommended to fuse the voltage measurement inputs. Be sure to locate fuses as close to the source as possible.

**WARNING:** Replace fuse with the same type and rating to provide protection against risk of fire and shock hazards.

**WARNING:** In the event of repeated failure, do not replace the fuse again as a repeated failure indicates a defective condition that will not clear by replacing the fuse.

**WARNING – EXPLOSION HAZARD** – Substitution of components may impair suitability for Class I, Division 2  
**AVERTISSEMENT - RISQUE D'EXPLOSION** - LA SUBSTITUTION DE COMPOSANTS PEUT RENDRE CE MATERIAL INACCEPTABLE POUR LES EMBLACEMENTS DE CLASSE 1, DIVISION 2

**WARNING** - The USB parts are for operational maintenance only. Do not leave permanently connected unless area is known to be non-hazardous.

**WARNING – EXPLOSION HAZARD** - BATTERIES MUST ONLY BE CHANGED IN AN AREA KNOWN TO BE NON-HAZARDOUS  
**AVERTISSEMENT - RISQUE D'EXPLOSION** - AFIN D'ÉVITER TOUT RISQUE D'EXPLOSION, S'ASSURER QUE L'EMPLACEMENT EST DESIGNÉ NON DANGEREUX AVANT DE CHANGER LA BATTERIE

**WARNING** - Battery May Explode If Mistreated. Do Not Recharge, Disassemble or Dispose Of In Fire

**WARNING:** Only qualified electrical personnel familiar with the construction and operation of this equipment and the hazards involved should install, adjust, operate, or service this equipment. Read and understand this manual and other applicable manuals in their entirety before proceeding. Failure to observe this precaution could result in severe bodily injury or loss of life.

This device complies with part 15 of the FCC Rules. Operation is subject to the following two conditions:

1. This device may not cause harmful interference.
2. This device must accept any interference received, including interference that may cause undesired operation.

**Radiated Emission Compliance:** For compliance requirement, a ferrite (Horner P/N FBD006 supplied with the unit) needs to be placed on the AC/DC line with one loop.

- All applicable codes and standards need to be followed in the installation of this product.
- Adhere to the following safety precautions whenever any type of connection is made to the module:
  - Connect the safety (earth) ground on the power connector first before making any other connections.
  - When connecting to electric circuits or pulse-initiating equipment, open their related breakers.
  - Do not make connections to live power lines.
  - Make connections to the module first; then connect to the circuit to be monitored.
  - Route power wires in a safe manner in accordance with good practice and local codes.
  - Wear proper personal protective equipment including safety glasses and insulated gloves when making connections to power circuits.
  - Ensure hands, shoes, and floors are dry before making any connection to a power line.
  - Make sure the unit is turned OFF before making connection to terminals.
  - Make sure all circuits are de-energized before making connections.
  - Before each use, inspect all cables for breaks or cracks in the insulation. Replace immediately if defective.
- Use Copper Conductors in Field Wiring Only, 60/75° C

## 6. Technical Support

For assistance and Manual updates, contact Technical Support at the following locations:

North America:  
 Tel: (317) 916 – 4274  
 Web: [www.heapg.com](http://www.heapg.com)  
 Email: [techsppt@heapg.com](mailto:techsppt@heapg.com)

Europe:  
 Tel: (+) 353 – 21 – 4321 – 266  
 Web: [www.horner-apg.com](http://www.horner-apg.com)  
 Email: [techsupport@hornerapg.com](mailto:techsupport@hornerapg.com)

No part of this publication may be reproduced without the prior agreement and written permission of Horner APG, Inc. Information in this document is subject to change without notice.