

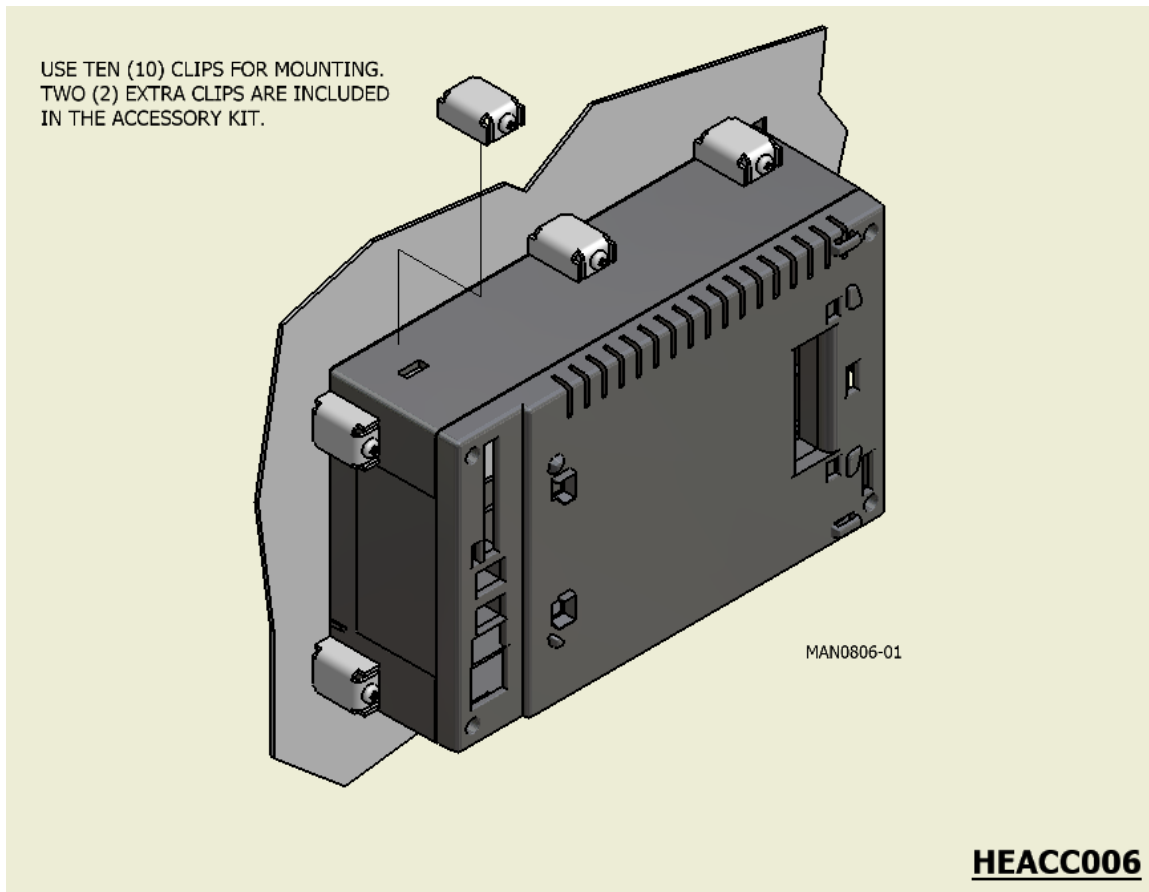


Optional Accessory Kit (HEACC006)

Note: This product is used with the NX Series OCS Controller (NX). For detailed installation, configuration and other information, refer to the NX hardware manual (MAN0781).

The **Optional Accessory Kit** (HEACC006) contains additional clips to be used with the NX.

The NX comes with four standard clips, but ten mounting clips are required for optimum seal against leaking and are required for NEMA 4/4X or IP65 washdown applications.



For assistance and manual updates, contact Technical Support at the following locations:

North America:

(317) 916-4274

www.heapg.com

email: techsppt@heapg.com

Europe:

(+) 353-21-4321-266

www.horner-apg.com

email: techsupport@hornerirl.ie