

# REPORT

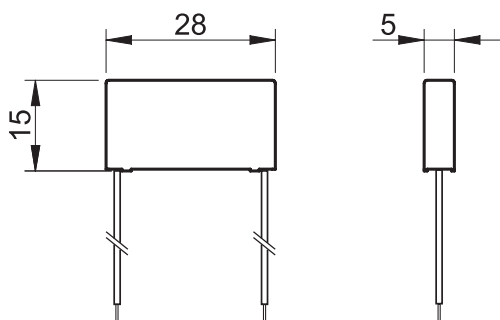
## 15 Series



**NEW**

Accessory  
Type 015.0.230

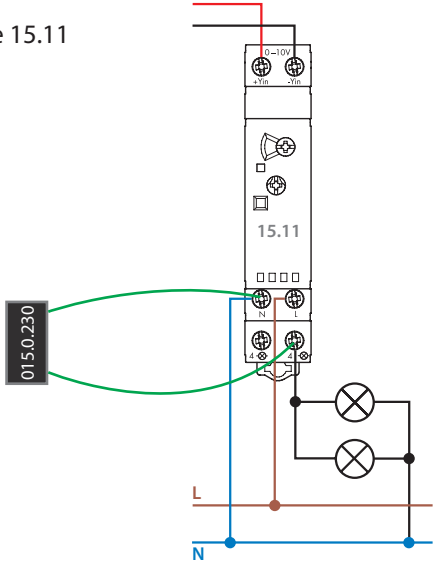
Leakage current  
suppression module  
for 15 Series  
Dimmers



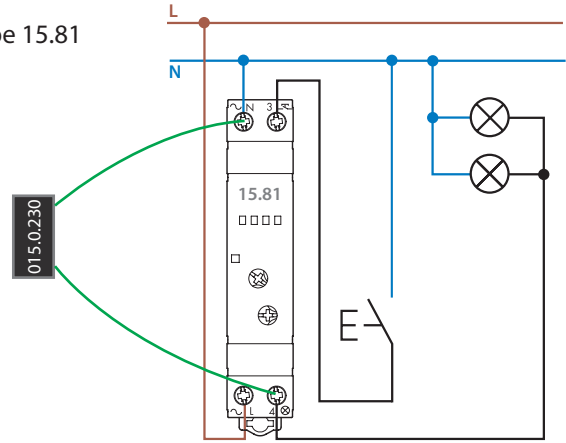
Type 015.0.230 leakage current suppression module for use in cases where leakage current prevents an LED lamp from completely turning Off.

Install and connect the module between the Output and Neutral, in parallel with the lamps - according to the Dimmer Type

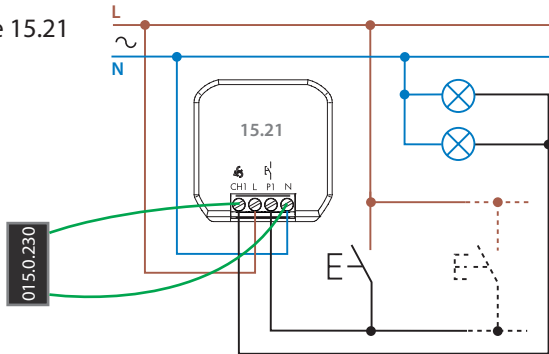
Type 15.11



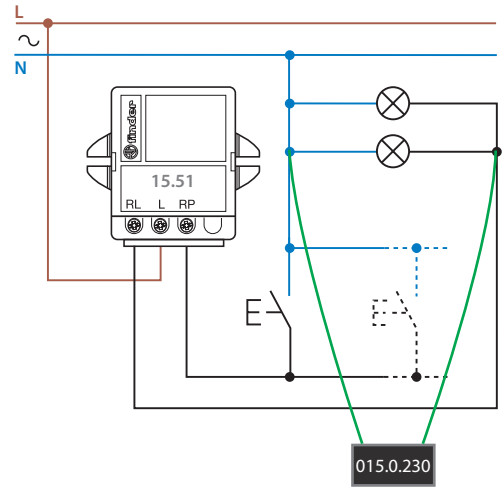
Type 15.81



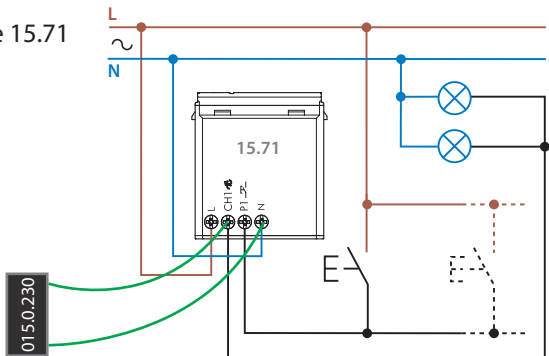
Type 15.21



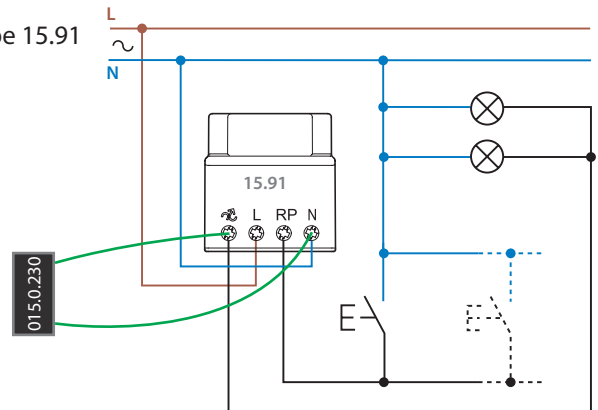
Type 15.51



Type 15.71



Type 15.91



FINDER reserves the right to alter characteristics at any time without notice. FINDER assumes no liability for damage to persons or property, caused as a result of the incorrect use or application of its products.

ADV0150230EN - W/2020 - Report Type 015.0.230