

TLS-Z GD2

Description

The TLS-ZR GD2 and TLS-ZL GD2 are additions to the existing TLS GD2 range of guard locking switches. The TLS-ZR GD2 is a power-to-release and the TLS-ZL GD2 is a power-to-lock unit. They may be used as part of a guard locking system to achieve performance Level "e" to EN/ISO 13849-1. They are certified by the TÜV as meeting EN/ISO 13849-1. In mechanical configuration they are identical to the existing TLS-GD2 range with the exception that they include an additional RFID door target which is mounted close coupled with the supplied fully-flexible actuator.



These switches have built in microprocessor technology and have two channel OSSD solid-state outputs. Locking/unlocking is achieved using a logic level signal input. The RFID door target is uniquely coded and provides the internal microprocessor with additional door position information. Therefore, in the event of a broken or missing actuator key the microprocessor will shut down the OSSD safety outputs. This extra functionality enables performance level "e" to EN/ISO 13849-1 to be reached as there is no reliance on fault exclusion for a broken or missing actuator key.

The TLS-GD2 range are positive mode, tongue operated, guard locking interlock switches that can lock a machine guard closed until power is isolated and ensure that it remains isolated while the guard is open. The TLS-ZR GD2 and TLS-ZL GD2 head has two entry slots and it can be rotated to provide three actuator entry points. A blanking plug is provided to seal the unused slot. The TLS-ZR GD2 is a power-to-release switch, the guard may only be opened when a logic signal is applied to the switch after which the internal microprocessor will enable the internal solenoid, which releases the lock mechanism. The TLS-ZL GD2 is a power-to-lock switch, the guard will be locked when a logic signal is applied to the switch after which the internal microprocessor will enable the internal solenoid, which engages the lock mechanism.

Two manual release points with security screws allow the locked switches to be released in emergencies. An optional lid-mounted key-release style can also be supplied. Each switch has semiconductor OSSD safety outputs that may be connected in series with other safety components that also have OSSD solid-state outputs (for example, the SensaGuard range of non-contact switches). A stainless-steel actuator guide is fitted to protect the unit from actuator damage due to poor guard alignment or guard wear. TLS-Z GD2 has an ingress protection rating of IP69K making them suitable for harsh washdown applications as found in the food and beverage, pharmaceutical, solar, and semiconductor industries.

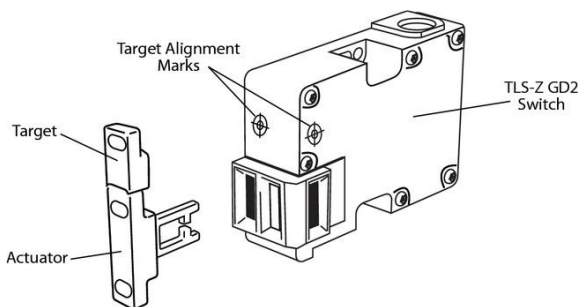
IMPORTANT

With the TLS-ZL GD2 power-to-lock style, provisions may be required to ensure that a dangerous situation can not result from open circuit faults or power failures.

Features

- Meets PLe to EN/ISO 13849-1
- Solid-state OSSD outputs series connectable to ISO 14119
- RFID uniquely coded door target
- Easy QD connection
- Same mechanical arrangement as standard TLS-GD2
- High locking force ≤ 2000 N (450 lb)

Product Selection



Description	Cat. No.
TLS-ZR GD2 guard locking switch OSSD outputs power-to-release QD 24V	440G-TZS21UPRH
TLS-ZL GD2 guard locking switch OSSD outputs power-to-lock QD 24V	440G-TZS21UPLH

