

# Low-profile Connector Kits

Catalog Numbers 2090-K6CK-D15F, 2090-K6CK-D15M, 2090-K6CK-D15MF, 2090-K6CK-D26M

## About the Low-profile Connector Kits

Connector Kit Cat. No.	Application Description
2090-K6CK-D15F	15-pin, female, D-sub connector for auxiliary feedback.
2090-K6CK-D15M	15-pin, male, D-sub connector for motor feedback.
2090-K6CK-D15MF	15-pin, male, D-sub connector for motor feedback with filter for thermal switch circuit.
2090-K6CK-D26M	26-pin, male, D-sub connector for user I/O.

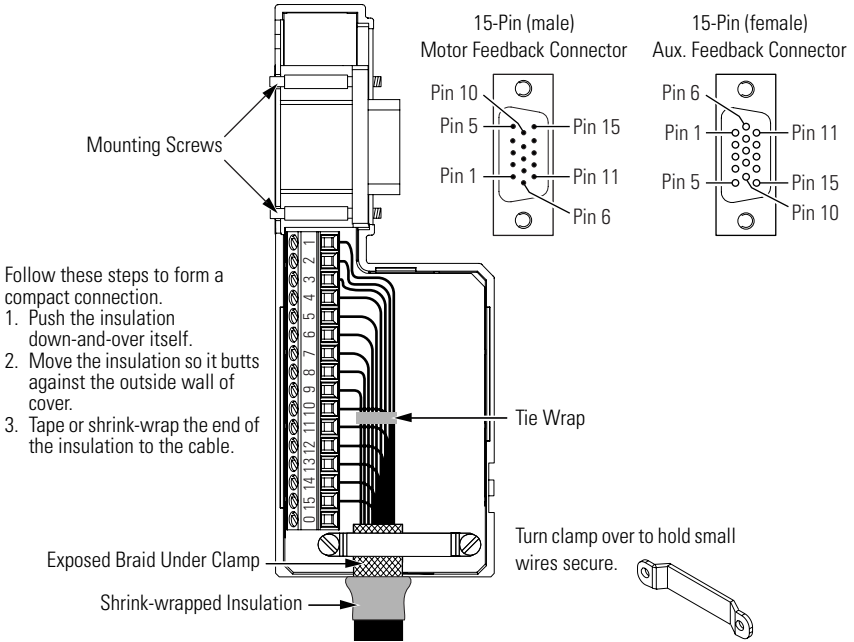
## Install the Low-profile Connector Kit

Attribute	2090-K6CK-D15F, 2090-K6CK-D15M, 2090-K6CK-D15MF, 2090-K6CK-D26M
Cable diameter	4...10 mm (0.16...0.39 in.)
Recommended torque	
Mounting screw	0.4 N•m (3.5 lb•in)
Terminal screws	0.2 N•m (2.1 lb•in)
Clamp and cover screws	0.4 N•m (3.5 lb•in)
Screw terminal wire size	0.06...1.31 mm <sup>2</sup> (30...16 AWG)
Recommended wire strip length	5 mm (0.2 in.) single conductor

Refer to your drive user manual for additional information on installing the connector kit.

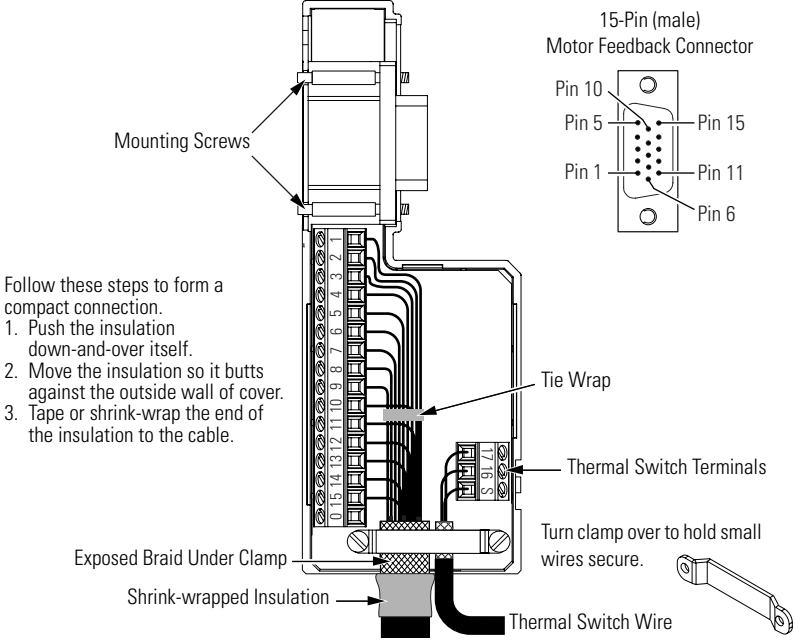
## Connector Data

### Catalog Numbers 2090-K6CK-D15F, 2090-K6CK-D15M



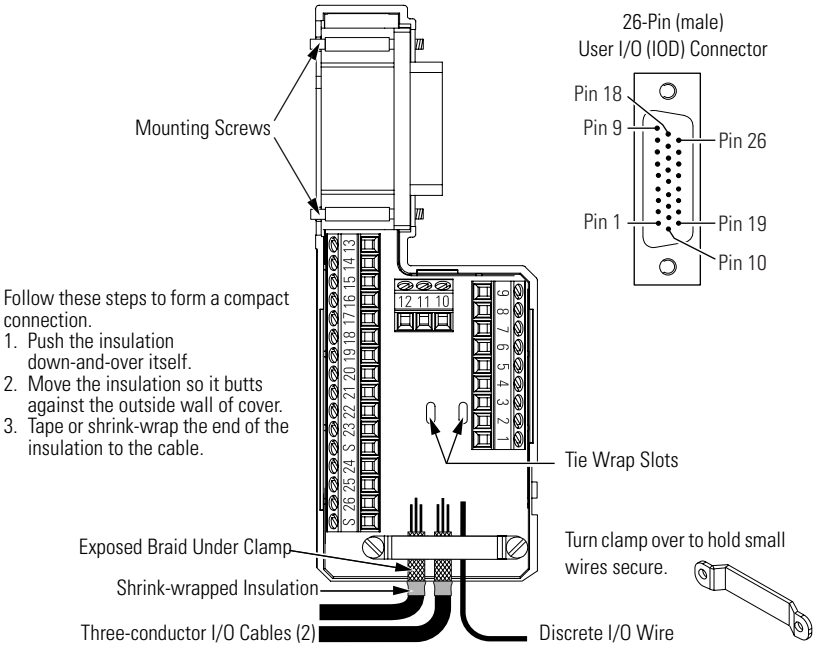
Refer to your drive user manual for information on wiring the connector kit.

### Catalog Number 2090-K6CK-D15MF



Refer to your drive user manual for information on wiring the connector kit.

# Catalog Number 2090-K6CK-D26M



Follow these steps to form a compact connection.

1. Push the insulation down-and-over itself.
2. Move the insulation so it butts against the outside wall of cover.
3. Tape or shrink-wrap the end of the insulation to the cable.

Refer to your drive user manual for information on wiring the connector kit.

Allen-Bradley, Rockwell Automation, and Rockwell Software are trademarks of Rockwell Automation, Inc.

Trademarks not belonging to Rockwell Automation are property of their respective companies.

Rockwell Otomasyon Ticaret A.Ş., Kar Plaza İş Merkezi E Blok Kat:6 34752 İçerenköy, İstanbul, Tel: +90 (216) 5698400

[www.rockwellautomation.com](http://www.rockwellautomation.com)

**Power, Control and Information Solutions Headquarters**

Americas: Rockwell Automation, 1201 South Second Street, Milwaukee, WI 53204 USA, Tel: (1) 414.382.2000, Fax: (1) 414.382.4444  
 Europe/Middle East/Africa: Rockwell Automation, Vorstlaan/Boulevard du Souverain 36, 1170 Brussels, Belgium, Tel: (32) 2 663 0600, Fax: (32) 2 663 0640  
 Asia Pacific: Rockwell Automation, Level 14, Core F, Cyberport 3, 100 Cyberport Road, Hong Kong, Tel: (852) 2887 4788, Fax: (852) 2508 1846