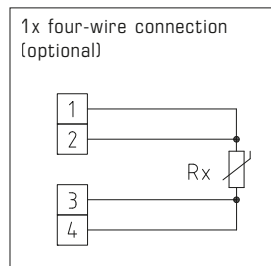
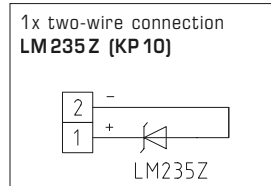
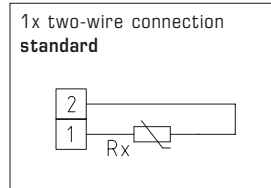


**Outside temperature sensors / wet room temperature sensors  
with passive output**

Outside wall resistance thermometer / weather sensor **THERMASGARD® ATF 1** (internal sensor) with passive output, enclosure made of impact-resistant plastic and quick-locking screws.

Outside wall resistance thermometer / weather sensor **THERMASGARD® ATF 01** (internal sensor) with passive output, enclosure made of impact-resistant plastic and snap-on lid.

It is used to measure outside temperatures, temperatures in wet room areas, e.g. as an outdoor sensor, weather sensor for installation on outside walls, in cold storage buildings and greenhouses, in halls, in the industrial sector and in agriculture. Installation in outdoor areas preferably at the north side of a building or in a protected place. In the case of direct solar radiation, a sunshade protector **WS 01** should be used.



**TECHNICAL DATA**

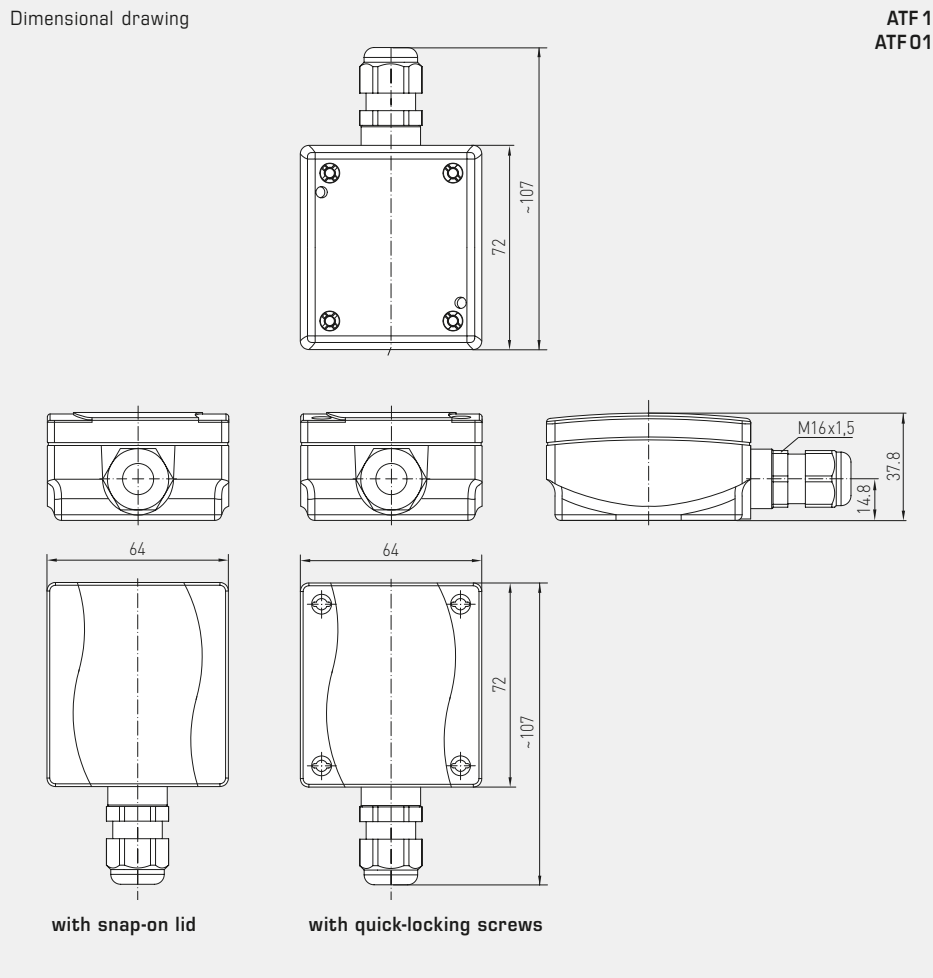
Measuring range:	-50...+90 °C
Sensors / output:	passive (see table), sensors internal
Connection type:	2-wire connection (4-wire connection optional)
Testing current:	approx. 1 mA
Enclosure:	plastic, material polyamide, 30 % glass-globe-reinforced, colour traffic white (similar to RAL 9016) <b>ATF01 with snap-on lid,</b> <b>ATF 1 with quick-locking screws</b> (slotted / Phillips head combination)
Enclosure dimensions:	72 x 64 x 37.8 mm (Tyr 1 / Tyr 01)
Cable gland:	M 16 x 1.5; including strain relief, exchangeable, max. inner diameter 10.4 mm
Electrical connection:	0.14 - 1.5 mm <sup>2</sup> via terminal screws on circuit board
Insulating resistance:	≥ 100 MΩ, at +20 °C (500 V DC)
Humidity:	< 95 % r. H., non-precipitating air
Protection class:	III (according to EN 60 730)
Protection type:	<b>ATF01 IP 43</b> (according to EN 60 529) <b>ATF 1 IP 65</b> (according to EN 60 529)



**THERMASGARD® ATF 01 – Outside temperature sensors / wet room temperature sensors, Standard**

Type / WG03	Sensor / Output	Item No.	Price
<b>ATF 01</b>	<b>Pt, Ni, LM235Z</b>	<b>IP 43</b>	
ATF01 PT100	Pt100 (according to DIN EN 60 751, class B)	1101-1030-1003-000	<b>14,39 €</b>
ATF01 PT1000	Pt1000 (according to DIN EN 60 751, class B)	1101-1030-5001-000	<b>14,39 €</b>
ATF01 Ni1000	Ni1000 (according to DIN EN 43 760, class B, TCR = 6180 ppm / K)	1101-1030-9001-000	<b>15,78 €</b>
ATF01 Ni1000TK5000	Ni1000 TK5000 (TCR = 5000 ppm / K), LG- Ni1000	1101-1031-0001-000	<b>16,69 €</b>
ATF01 LM235Z	LM235Z (TCR = 10 mV / K; 2.73 V at 0 °C), KP10	1101-1032-1001-000	<b>14,34 €</b>
<b>ATF 01</b>	<b>NTC</b>	<b>IP 43</b>	
ATF01 NTC1,8K	NTC 1.8K	1101-1031-2001-000	<b>14,34 €</b>
ATF01 NTC10K	NTC 10K	1101-1031-5001-000	<b>14,34 €</b>
ATF01 NTC20K	NTC 20K	1101-1031-6001-000	<b>14,34 €</b>
Note:	ATF 1 with snap-on lid Other sensors optional	on request	
<b>Accessories</b>			
<b>WS-01</b>	<b>Sunshade and ball game protection, 184 x 180 x 80 mm, stainless steel</b>	7100-0040-2000-000	<b>26,80 €</b>
<b>WS-04</b>	<b>Sunshade and weather protection, 130 x 180 x 135 mm, stainless steel</b>	7100-0040-7000-000	<b>31,62 €</b>

For further information see last chapter!



ATF 1  
ATF 01

ATF 01  
with snap-on lid  
(IP 43)



ATF 1  
with quick-locking screws  
(IP 65)



THERMASGARD® ATF 1 – Outside temperature sensors / wet room temperature sensors, Premium

Type / WG03	Sensor / Output	Item No.	Price
<b>ATF 1</b>	<b>Pt, Ni, LM235Z</b>	<b>IP65</b>	
ATF1 PT100	Pt100 (according to DIN EN 60 751, class B)	1101-1040-1003-000	15,42 €
ATF1 PT1000	Pt1000 (according to DIN EN 60 751, class B)	1101-1040-5001-000	15,42 €
ATF1 PT1000A	Pt1000 (according to VDI/VDE 3512, class A-TGA)	1101-1040-6003-000	21,62 €
ATF1 Ni1000	Ni1000 (according to DIN EN 43 760, class B, TCR = 6180 ppm/K)	1101-1040-9001-000	17,46 €
ATF1 Ni1000TK5000	Ni1000 TK5000 (TCR = 5000 ppm/K), LG-Ni1000	1101-1041-0001-000	18,04 €
ATF1 LM235Z	LM235Z (TCR = 10 mV/K; 2.73 V at 0 °C), KP10	1101-1042-1001-000	15,78 €
<b>ATF 1</b>	<b>NTC</b>	<b>IP65</b>	
ATF1 NTC1,8K	NTC 1.8K	1101-1041-2001-000	15,68 €
ATF1 NTC10K	NTC 10K	1101-1041-5001-000	15,68 €
ATF1 NTC20K	NTC 20K	1101-1041-6001-000	15,68 €
Note:	ATF 1 with quick-locking screws Other sensors optional		on request
<b>Accessories</b>			
<b>WS-01</b>	<b>Sunshade and ball game protection, 184 x 180 x 80 mm, stainless steel</b>	7100-0040-2000-000	26,80 €
<b>WS-04</b>	<b>Sunshade and weather protection, 130 x 180 x 135 mm, stainless steel</b>	7100-0040-7000-000	31,62 €

For further information see last chapter!