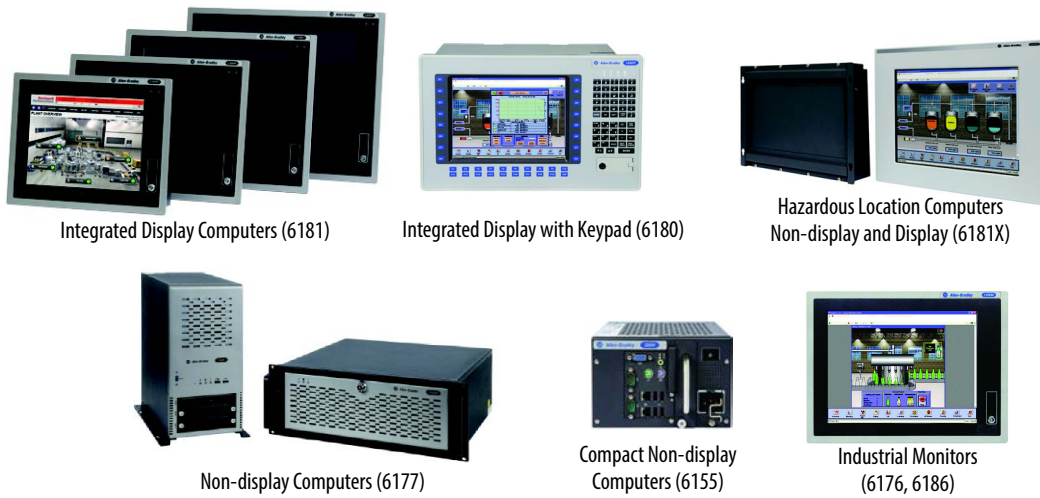


Industrial Computers and Monitors Specifications

Catalog Numbers 6155F, 6155R, 6176M, 6177R, 6180P, 6181F, 6181P, 6181X, 6186M



| Topic | Page |
|--|------|
| Industrial Computers Comparison | 2 |
| Integrated Display Computers | 3 |
| Hazardous Location Computers | 8 |
| Integrated Display Computers with Keypad | 12 |
| Non-display Computers | 15 |
| Compact Non-display Computers | 18 |
| Industrial Monitors | 20 |
| Performance Monitors | 21 |
| Standard Monitors | 24 |
| HMI Software | 27 |
| More Resources | 35 |

This document provides technical specifications, environmental specifications, certifications, and dimension drawings for the Allen-Bradley portfolio of industrial computers and monitors from Rockwell Automation.

Use this document with the Visualization Solutions Selection Guide, publication [VIEW-SG001](#), to make initial decisions on the visualization products that are best suited for your system requirements.



Industrial Computers Comparison

| Attribute | Integrated Display Computer 6181P, 6181F 1200P, 1500P, 1700P, 1900P | Computer for Hazardous Locations 6181X 1200XT | Display Computer with Keypad 6180P 1200P, 1500P | Non-display Computer 6177R 750R, 1450R | Compact Non-display Computer 6155R/6155F 200R |
|--|--|---|---|---|--|
| Display | NDM: non-display option 1200P: 12.1 in. 1500P: 15 in. ⁽²⁾ 1700P: 17 in. 1900P: 19 in. ⁽²⁾ | 1200XT: non-display option 1200XT: 12.1 in. | 1200P: 12.1 in. 1500P: 15 in. | Requires external monitor | Requires external monitor |
| Available touch screens | Standard and Performance: Resistive touch screen Advanced: PCAP ⁽²⁾ | Resistive, sunlight readable | Resistive | None | None |
| Keypad | None | None | Full alphanumeric keypad plus <ul style="list-style-type: none"> • 1200P: 36 function keys • 1500P: 44 function keys | None | None |
| Display bezel | Aluminum or stainless steel | Aluminum | Aluminum | None | None |
| Package options ⁽¹⁾ | Standard, Performance, or Advanced | Performance | Standard or Performance | Performance, Advanced, or Server | Standard or Performance |
| Available processors | Standard: Intel Celeron Performance: Intel i3-4102E Advanced: Intel i7-4700EQ | Intel Core Duo U2500 | Standard: Intel Celeron M Performance: Intel Core Duo | Intel Core i3-2120 or Intel Core i5-2400 | Intel Celeron M |
| Primary storage media <ul style="list-style-type: none"> • Hard disk drive (HDD) • Solid-state drive (SSD) • CompactFlash | 100 GB, 2.5 in. SATA 32 GB, SATA | 8 GB | 250 GB, 3.5 in. SATA | 500 GB, 3.5-in. SATA ⁽⁴⁾ | 6155R: 100 GB SATA 6155F: 32 GB SATA |
| RAM memory type (GB installed/max) | Standard: DDR2 (2/4) Performance: DDR3 (4/16) Advanced: DDR3 (8/16) | DDR2 (2/4) | Standard: DDR2 (1/4) Performance: DDR2 (2/4) | DDR3 (4 or 8/32) | Standard: DDR2 (1/2) Performance: DDR2 (2/2) |
| Expansion slots | <ul style="list-style-type: none"> • 2 half-length PCI (upgrade to 1 PCI+1 PCI Express) or • 1 half-length PCI (upgrade to 2 PCI, or 1 PCI+1 PCI Express) | 1 half-length PCI | <ul style="list-style-type: none"> • 2 full-length PCI • 1 half-length PCI • 1 full-length ISA | <ul style="list-style-type: none"> • 1 or 4 PCI • 1 PCI Express x16 • 1 PCI Express x4 • 1 PCI Express x1 | None |
| Available removable media | Model dependent: DVD-ROM/CD-RW drive or None | None | <ul style="list-style-type: none"> • DVD-ROM/CD-RW drive • DVD-RW drive | DVD-RW optical disc drive (ODD) | None |
| I/O connectors | Up to 16; see pages 5 and 6 . | 9; see page 10 . | 15; see page 13 . | 9; see page 10 . | 9; see page 10 . |
| Available Windows operating system | <ul style="list-style-type: none"> • XP Professional SP3 • 7 Professional (32 bit) • 7 Professional (64 bit) SP1 • Embedded Standard 2009 • Embedded Standard 7 (64 bit) SP1 • Server 2008 R2 (64 bit) SP1 | <ul style="list-style-type: none"> • XP Professional SP3 • 7 Professional (32 bit) SP1 | XP Professional SP3 | <ul style="list-style-type: none"> • XP Professional SP3 • 7 Professional (64 bit) SP1 • 8.1 Industry Pro (64 bit) • Server 2008 R2 (64 bit) SP1 • Server 2012 R2 (64 bit) | <ul style="list-style-type: none"> • XP Professional SP3 • Embedded Standard 2009 |
| CompactFlash quantity | 1 or 2 Type II | 1 or 2 Type II | None | None | 2 Type II |
| Power | AC or DC | DC | AC or DC | AC | AC or DC |
| Special requirements | Model dependent: 0...55 °C (32...131 °F) or 0...50 °C (32...131 °F) | <ul style="list-style-type: none"> • Rated to 70 °C (158 °F) for cULus hazardous and ATEX locations • Preferred monitor: 6186M hazardous location monitor | 0...55 °C (32...131 °F) | 0...50 °C (32...113 °F) | <ul style="list-style-type: none"> • Compact form factor • 0...55 °C (32...131 °F) • Preferred monitor: 6176M |
| Mount options | <ul style="list-style-type: none"> • Panel mount (display models) • Wall (non-display models) • Table⁽³⁾ • Bookshelf⁽³⁾ • Machine⁽³⁾ | <ul style="list-style-type: none"> • Panel mount (display models) • Wall (non-display models) | Panel mount | 750R: machine mount 1400R: 4U rack mount | <ul style="list-style-type: none"> • DIN rail • Machine mount • VESA mount |

(1) Package option determines processor type, amount of RAM, type of removable media, number of external connectors or I/O, and type of expansion slots.

(2) Available in widescreen formats (16:9 aspect ratio), which have PCAP touch screens.

(3) Applies only to series F NDM models. The bookshelf mount requires a bracket, catalog number 6189V-BOOKBRKT, which is sold separately.

(4) RAID 1 enabled server models ship with two 500 GB HDDs.

Integrated Display Computers

Allen-Bradley integrated display computers serve as the foundation for visualization control of processes and machinery by using information displays to repair, maintain, or start a process.

The integrated display computer family features solid-state drives for performance in storage reliability or traditional rotating media for excellent data storage capabilities. Standard and performance packages provide the computing power that is needed for a range of application requirements.



The complete Rockwell Automation advantage includes seamless integration with the full suite of Rockwell Software® solutions, including Integrated Architecture® and FactoryTalk® View software.

Table 1 - Environmental Specifications - Integrated Display Computers

| Attribute | Advanced | Performance | Standard |
|---|---|--|----------------------------------|
| Temperature, operating | | | |
| • NDM (non-display) | | 0...55 °C (32...131 °F) | |
| • 1200 | | 0...55 °C (32...131 °F) | 0...50 °C (32...122 °F) |
| • 1500 | • 0...55 °C (32...131 °F) • 0...50 °C (32...122 °F) ⁽³⁾ | 0...55 °C (32...131 °F) | 0...50 °C (32...122 °F) |
| • 1700 | 0...55 °C (32...131 °F) | 0...55 °C (32...131 °F) | 0...50 °C (32...122 °F) |
| • 1900 | 0...50 °C (32...122 °F) | 0...50 °C (32...122 °F) | |
| Temperature, nonoperating | -20...60 °C (-4...140 °F) | | |
| Relative humidity | 10...90% noncondensing at 50% | | 10...90% without condensation |
| Shock, operating ⁽¹⁾⁽²⁾ | 15 g (1/2 sine, 11 ms) | | |
| Shock, nonoperating ⁽¹⁾⁽²⁾ | 30 g (1/2 sine, 11 ms) | | |
| Vibration ⁽¹⁾⁽²⁾ | | | |
| • HDD | 0.006 in. p-p, 10...57 Hz, 1.0 g peak sine, 57...640 Hz | | |
| • SSD | 0.012 in. p-p, 10...57 Hz, 2.0 g peak sine, 57...640 Hz | | |
| Vibration, nonoperating ⁽¹⁾⁽²⁾ | | | |
| • HDD | 0.012 in. p-p, 10...57 Hz, 2.0 g peak sine, 57...640 Hz | | |
| • SSD | 0.006 in. p-p, 10...57 Hz, 1.0 g peak sine, 57...640 Hz | | |
| Altitude, operating | Sea level to 2,000 m (6,562 ft) | | |
| Altitude, nonoperating | Sea level to 212,000 m (40,000 ft) | | |
| Enclosure ratings | | | |
| • With aluminum bezels | UL50 Type 1, 12, and 4 (indoor use only); IEC 60529, IP66 | • UL50 Type 1, 12, and 4 (indoor use only); IEC 60529, IP66 | NEMA Type 1, 12, 4, and IEC IP66 |
| • With stainless steel bezels | | • UL50 Type 1, 12, 4, and 4X (indoor use only); IEC 60529, IP66 | |

(1) The optical disc drive is considered a maintenance device. Do not operate the drive in environments with the shock and vibration levels listed. Do not operate the drive in temperatures above 45 °C (113 °F).

(2) Does not apply to bookshelf-mounted non-display computers.

(3) This temperature range applies only to widescreen models.

Table 2 - Certifications - 6181P/6181F Integrated Display Computers

| Certification ⁽¹⁾ | Advanced and Performance Models | Standard Models | | | | | | | | | | | | | | | | | | | | | | | | | | | | | | | | | | | | | | | | | | | | | | | | | | | | | | | | | | | | | | | | | | | | | |
|----------------------------------|---|--|-----------|--------------|------------|--------------|--|--|--------|--------|--------|--------------|------------|--------------|--------------|---|---|---|---|---|---|--------------|---|---|---|---|---|---|-------------------------------|---|---|---|---|---|---|------------------------|---|---|---|---|---|---|-----------------------|---|---|---|---|---|---|---------------------|---|---|---|---|---|---|----------------------------------|---|---|---|---|---|---|--------------|---|---|---|---|---|---|---|
| cULus | UL/c-UL Listed per UL 60950-1 and CSA C22.2 60950-1 second edition | UL/c-UL Listed per UL 60950-1 and CSA C22.2 No. 60950-1-03 | | | | | | | | | | | | | | | | | | | | | | | | | | | | | | | | | | | | | | | | | | | | | | | | | | | | | | | | | | | | | | | | | | | | | |
| CE | EMC 2004/108/EEC • Immunity standards: EN55024, EN61000-3-2, EN61000-3-3 • Emission standards: EN55022 Class A EN 60950-1 EU REACH: Regulation No. 1907/2006 of the European Parliament ⁽²⁾ Waste Electrical and Electronic Equipment (WEEE) 2002/96/EC Metric Directive 80/181/EEC EU Battery Directive 2006/66/EC Low Voltage Directive: LVD 2006/95/EC | Marked for all applicable directives EMC 2004/108/EC LVD 2006/95/EC | | | | | | | | | | | | | | | | | | | | | | | | | | | | | | | | | | | | | | | | | | | | | | | | | | | | | | | | | | | | | | | | | | | | | |
| EAC (TR CU) | Low Voltage TR CU 004/2011 EMC TR CU 020/2011 | | | | | | | | | | | | | | | | | | | | | | | | | | | | | | | | | | | | | | | | | | | | | | | | | | | | | | | | | | | | | | | | | | | | | | |
| FCC | Class A emissions | | | | | | | | | | | | | | | | | | | | | | | | | | | | | | | | | | | | | | | | | | | | | | | | | | | | | | | | | | | | | | | | | | | | | | |
| Korea | Korean Certification of Broadcasting and Communications Equipment, compliance with Article 58-2 of Radio Waves Act, Clause 2 Emissions standards: Class A 이 기기는 업무용 (A 급) 전자과적합기기로서 판매자 또는 사용자는 이 점을 주의 하시기 바라며, 가정 외의 지역에서 사용하는 것을 목적으로 합니다. | | | | | | | | | | | | | | | | | | | | | | | | | | | | | | | | | | | | | | | | | | | | | | | | | | | | | | | | | | | | | | | | | | | | | | |
| RCM (formerly C-Tick) | Emission standards: AS/NZS CISPR 22 Class A | Australian Radiocommunications Act, compliance with: AS/NZS CISPR 11; Industrial Emissions | | | | | | | | | | | | | | | | | | | | | | | | | | | | | | | | | | | | | | | | | | | | | | | | | | | | | | | | | | | | | | | | | | | | | |
| RoHS | European RoHS 2011/65/EU China RoHS: 表格上的信息表示本产品中含有少量的某些材料, 这只适用于中国ROHS. 在这些产品上会有一个显示 " 环境友好使用期限 " 的标签. 这个期限是估算的 " 产品不会有泄露或者突变 " 的年限. 这个产品可能含有某些可替换元件, 这些元件的环境友好使用期限可能比较短. 这些元件会有单独标记. <table border="1" style="width: 100%; border-collapse: collapse; text-align: center;"> <thead> <tr> <th rowspan="2">部件名称</th> <th colspan="6">有毒有害物质或元素</th> </tr> <tr> <th>铅 (Pb)</th> <th>汞 (Hg)</th> <th>镉 (Cd)</th> <th>六价铬 (Cr(VI))</th> <th>多溴联苯 (PBB)</th> <th>多溴二苯醚 (PBDE)</th> </tr> </thead> <tbody> <tr> <td>壳体 (Housing)</td> <td>X</td> <td>○</td> <td>○</td> <td>○</td> <td>○</td> <td>○</td> </tr> <tr> <td>显示 (Display)</td> <td>X</td> <td>○</td> <td>○</td> <td>○</td> <td>○</td> <td>○</td> </tr> <tr> <td>印刷电路板 (Printed Circuit Board)</td> <td>X</td> <td>○</td> <td>○</td> <td>○</td> <td>○</td> <td>○</td> </tr> <tr> <td>金属螺帽 (Metal Fasteners)</td> <td>X</td> <td>○</td> <td>○</td> <td>○</td> <td>○</td> <td>○</td> </tr> <tr> <td>电缆组装 (Cable Assembly)</td> <td>X</td> <td>○</td> <td>○</td> <td>○</td> <td>○</td> <td>○</td> </tr> <tr> <td>风扇组装 (Fan Assembly)</td> <td>X</td> <td>○</td> <td>○</td> <td>○</td> <td>○</td> <td>○</td> </tr> <tr> <td>电力供应组装 (Power Supply Assemblies)</td> <td>X</td> <td>○</td> <td>○</td> <td>○</td> <td>○</td> <td>○</td> </tr> <tr> <td>电池 (Battery)</td> <td>○</td> <td>○</td> <td>○</td> <td>○</td> <td>○</td> <td>○</td> </tr> </tbody> </table> O: 表示该有毒有害物质在该部件所有均质材料中的含量均在SJ/T11363-2006 标准规定的限量要求以下。 X: 表示该有毒有害物质至少在该部件的某一均质材料中的含量超出SJ/T11363-2006 标准规定的限量要求。(企业可在此处, 根据实际情况对上表中打“X”的技术原因进行进一步说明。) 这个产品可能含有某些可替换元件, 这些元件的环境友好使用期限可能比较短. 这些元件会有单独标记. 电池: 10 年 Turkey RoHS (EEE Yönetmeliğine Uygundur. In Conformity with the EEE Regulation) | 部件名称 | 有毒有害物质或元素 | | | | | | 铅 (Pb) | 汞 (Hg) | 镉 (Cd) | 六价铬 (Cr(VI)) | 多溴联苯 (PBB) | 多溴二苯醚 (PBDE) | 壳体 (Housing) | X | ○ | ○ | ○ | ○ | ○ | 显示 (Display) | X | ○ | ○ | ○ | ○ | ○ | 印刷电路板 (Printed Circuit Board) | X | ○ | ○ | ○ | ○ | ○ | 金属螺帽 (Metal Fasteners) | X | ○ | ○ | ○ | ○ | ○ | 电缆组装 (Cable Assembly) | X | ○ | ○ | ○ | ○ | ○ | 风扇组装 (Fan Assembly) | X | ○ | ○ | ○ | ○ | ○ | 电力供应组装 (Power Supply Assemblies) | X | ○ | ○ | ○ | ○ | ○ | 电池 (Battery) | ○ | ○ | ○ | ○ | ○ | ○ | China RoHS Turkey RoHS (EEE Yönetmeliğine Uygundur. In Conformity with the EEE Regulation) |
| 部件名称 | 有毒有害物质或元素 | | | | | | | | | | | | | | | | | | | | | | | | | | | | | | | | | | | | | | | | | | | | | | | | | | | | | | | | | | | | | | | | | | | | | | |
| | 铅 (Pb) | 汞 (Hg) | 镉 (Cd) | 六价铬 (Cr(VI)) | 多溴联苯 (PBB) | 多溴二苯醚 (PBDE) | | | | | | | | | | | | | | | | | | | | | | | | | | | | | | | | | | | | | | | | | | | | | | | | | | | | | | | | | | | | | | | | | |
| 壳体 (Housing) | X | ○ | ○ | ○ | ○ | ○ | | | | | | | | | | | | | | | | | | | | | | | | | | | | | | | | | | | | | | | | | | | | | | | | | | | | | | | | | | | | | | | | | |
| 显示 (Display) | X | ○ | ○ | ○ | ○ | ○ | | | | | | | | | | | | | | | | | | | | | | | | | | | | | | | | | | | | | | | | | | | | | | | | | | | | | | | | | | | | | | | | | |
| 印刷电路板 (Printed Circuit Board) | X | ○ | ○ | ○ | ○ | ○ | | | | | | | | | | | | | | | | | | | | | | | | | | | | | | | | | | | | | | | | | | | | | | | | | | | | | | | | | | | | | | | | | |
| 金属螺帽 (Metal Fasteners) | X | ○ | ○ | ○ | ○ | ○ | | | | | | | | | | | | | | | | | | | | | | | | | | | | | | | | | | | | | | | | | | | | | | | | | | | | | | | | | | | | | | | | | |
| 电缆组装 (Cable Assembly) | X | ○ | ○ | ○ | ○ | ○ | | | | | | | | | | | | | | | | | | | | | | | | | | | | | | | | | | | | | | | | | | | | | | | | | | | | | | | | | | | | | | | | | |
| 风扇组装 (Fan Assembly) | X | ○ | ○ | ○ | ○ | ○ | | | | | | | | | | | | | | | | | | | | | | | | | | | | | | | | | | | | | | | | | | | | | | | | | | | | | | | | | | | | | | | | | |
| 电力供应组装 (Power Supply Assemblies) | X | ○ | ○ | ○ | ○ | ○ | | | | | | | | | | | | | | | | | | | | | | | | | | | | | | | | | | | | | | | | | | | | | | | | | | | | | | | | | | | | | | | | | |
| 电池 (Battery) | ○ | ○ | ○ | ○ | ○ | ○ | | | | | | | | | | | | | | | | | | | | | | | | | | | | | | | | | | | | | | | | | | | | | | | | | | | | | | | | | | | | | | | | | |

(1) When marked; see <http://www.rockwellautomation.com/certification> for declarations of conformity, certificates, and other certification details.
 (2) For current product-environmental information, see <http://www.rockwellautomation.com/rockwellautomation/about-us/sustainability-ethics/product-environmental-compliance.page>.

Table 3 - Technical Specifications - 6181P Integrated Display Computer, Standard Models

| Attribute | 1200P Standard | 1500P Standard | 1700P Standard |
|---|--|---|---|
| Display type | Color active-matrix TFT Flat Panel | | |
| Display size, diagonal | 12.1 in. (307 mm) | 15 in. (381 mm) | 17 in. (432 mm) |
| Display area (WxH) | 246 x 185 mm (9.7 x 7.3 in.) | 305 x 229 mm (12 x 9 in.) | 338 x 270 mm (13.3 x 10.7 in.) |
| Display resolution (native) | 800 x 600, 256K colors | 1024 x 768, 16.7M colors | 1280 x 1024, 16.7M colors |
| Touch screen | Resistive antiglare | | |
| Response time (typical) | 15 ms | | |
| Bezel | Aluminum | | |
| Processor | Intel Celeron M423, 1.06 GHz | | |
| RAM <ul style="list-style-type: none"> • Type • Supplied • Maximum | Dual channel DDR2 DIMM 2 GB (2 x 1 GB) 4 GB (2 x 2 GB) | | |
| Storage drive | 6181P: 100 GB, 2.5-in. SATA hard disk drive 6181F: 16 GB CompactFlash solid-state drive | | |
| Expansion slots | None | | |
| Optical storage | None | | |
| CompactFlash | 1 Type II slot, bootable ⁽¹⁾ | | |
| I/O connections | <ul style="list-style-type: none"> • 1 serial port • 4 USB 2.0 ports • 2 GB Ethernet LAN ports • 3 jacks: audio line-in, audio line-out, and microphone-in | | |
| Operating system | Windows XP Professional SP3 | | |
| Input voltage, AC | 100...240V AC autoranging, 47...63 | | |
| Power consumption, AC | 100VA (1.0 A at 100V rms, 0.42 A at 240V rms) | | |
| Input voltage, DC | 20V DC (power adapter required) | | |
| Power consumption, DC | 65 W (3.25 A at 20V) | | |
| Weight, approx | 7.85 kg (17.31 lb) | 9.0 kg (19.8 lb) | 11.0 kg (24.3 lb) |
| Dimensions (HxWxD), approx | 279 x 349 x 99 mm (10.98 x 13.74 x 3.91 in.) | 309 x 410 x 95 mm (12.16 x 16.14 x 3.74 in.) | 356 x 452 x 95 mm (14.01 x 17.80 x 3.74 in.) |
| Cutout dimensions (HxWxD) | 254 x 324 mm (10 x 12.76 in.) | 285.0 x 386.6 mm (11.24 x 15.22 in.) | 329.5 x 424.0 mm (12.97 x 16.69 in.) |
| Mount options | Panel | | |

(1) The CompactFlash card must be inserted in the bootable slot before power is turned on.

Table 4 - Technical Specifications - 6181P Integrated Display Computer, Performance and Advanced Models

| Attribute | NDM (non-display) | 1200P Performance | 1500P Performance | 1500P Advanced | 1700P Performance | 1900 Performance | 1900 Advanced |
|--|--|---|--|---|---|---|---|
| Display type | — | Color active-matrix TFT flat panel | | | | | |
| Display size, diagonal | — | 12 in. (307 mm) | 15 in. (381 mm) | | 17 in. (432 mm) | | |
| Display aspect ratio | — | 4:3 | 4:3 | 16:9 | 5:4 | 5:4 | 16:9 |
| Display resolution (max) | — | XGA 1024 x 768 | XGA 1024 x 768 | HD 1366 x 768 | <ul style="list-style-type: none"> SXGA 1280 x 1024 HD 1366 x 768 | <ul style="list-style-type: none"> SXGA 1280 x 1024 HD 1366 x 768 | <ul style="list-style-type: none"> HD 1366 x 768 |
| Touch screen | — | Resistive anti-glare | | PCAP | <ul style="list-style-type: none"> Resistive anti-glare PCAP | <ul style="list-style-type: none"> Resistive anti-glare PCAP | <ul style="list-style-type: none"> PCAP |
| Response time | — | 15 ms | | | | | |
| Bezel | — | Aluminum | <ul style="list-style-type: none"> Aluminum Stainless steel | Aluminum | <ul style="list-style-type: none"> Aluminum Stainless steel | <ul style="list-style-type: none"> Aluminum Stainless steel | Aluminum |
| Available processors | <ul style="list-style-type: none"> Intel i3-4102E; 2 cores; 1.6 GHz Intel i7-4700EQ; 4 cores; 2.4 GHz | Intel i3-4102E; 2 cores; 1.6 GHz | <ul style="list-style-type: none"> Intel i3-4102E; 2 cores; 1.6 GHz Intel i7-4700EQ; 4 cores; 2.4 GHz | Intel i7-4700EQ; 4 cores; 2.4 GHz | <ul style="list-style-type: none"> Intel i3-4102E; 2 cores; 1.6 GHz Intel i7-4700EQ; 4 cores; 2.4 GHz | | Intel i7-4700EQ; 4 cores; 2.4 GHz |
| RAM | | | | | | | |
| • Type | • DDR3-1600 204-pin SO-DIMM | • DDR3-1600 204-pin SO-DIMM | • DDR3-1600 204-pin SO-DIMM | • DDR3-1600 204-pin SO-DIMM | • DDR3-1600 204-pin SO-DIMM | • DDR3-1600 204-pin SO-DIMM | • DDR3-1600 204-pin SO-DIMM |
| • Supplied | • 4 GB (2 x 2 GB) or 8 GB (2 x 4 GB) | • 4 GB (2 x 2 GB) | • 4 GB (2 x 2 GB) or 8 GB (2 x 4 GB) | • 8 GB (2 x 4 GB) | • 4 GB (2 x 2 GB) or 8 GB (2 x 4 GB) | • 4 GB (2 x 2 GB) or 8 GB (2 x 4 GB) | • 8 GB (2 x 4 GB) |
| • Maximum | • 16 GB (2 x 8 GB) | • 16 GB (2 x 8 GB) | • 16 GB (2 x 8 GB) | • 16 GB (2 x 8 GB) | • 16 GB (2 x 8 GB) | • 16 GB (2 x 8 GB) | • 16 GB (2 x 8 GB) |
| Available storage drives | <ul style="list-style-type: none"> 1 or 2 x 100 GB, 2.5-in. SATA HDD 1 x 32 GB, 2.5-in. SATA SSD | <ul style="list-style-type: none"> 1 x 100 GB, 2.5-in. SATA HDD 1 x 32 GB, 2.5-in. SATA SSD | <ul style="list-style-type: none"> 1 x 100 GB, 2.5-in. SATA HDD 1 x 32 GB, 2.5-in. SATA SSD | <ul style="list-style-type: none"> 1 x 100 GB, 2.5-in. SATA HDD 1 x 32 GB, 2.5-in. SATA SSD | <ul style="list-style-type: none"> 1 x 100 GB, 2.5-in. SATA HDD 1 x 32 GB, 2.5-in. SATA SSD | <ul style="list-style-type: none"> 1 x 100 GB, 2.5-in. SATA HDD 1 x 32 GB, 2.5-in. SATA SSD | <ul style="list-style-type: none"> 1 x 100 GB, 2.5-in. SATA HDD 1 x 32 GB, 2.5-in. SATA SSD |
| Expansion slots | 1 PCI Express x8 (upgradable to 1 PCI, 2 PCI, 2 PCIe x4, or 1 PCIe x4 + 1 PCI with separate PCI riser kits) | | | | | | |
| Available optical storage drive (ODD) | <ul style="list-style-type: none"> None supplied 1 DVD-RW/CD-RW | None supplied | | 1 DVD-RW/CD-RW | None supplied | | 1 DVD-RW/CD-RW |
| CompactFlash Type II | Type II slot with cover | | | | | | |
| I/O connections | <ul style="list-style-type: none"> 1 PS/2 keyboard port 1 PS/2 mouse port 2 serial COM ports 4 or 5 USB 3.0 external ports⁽¹⁾ | | <ul style="list-style-type: none"> 2 Gb Ethernet LAN ports DVI-I port 3 jacks: audio line-in, audio line-out, and microphone-in | | | | |
| Available operating systems ⁽²⁾ | <ul style="list-style-type: none"> Windows 7 Pro (32 bit) SP1 Windows Server 2008 R2 Standard (64 bit) SP1 WES 7 (64 bit) SP1 | <ul style="list-style-type: none"> Windows 7 Professional (32 bit) SP1 WES 7 (64 bit) SP1 | | | | | |
| Input voltage, AC | 100...240V, autoranging | | | | | | |
| Power consumption, AC | 100...240V; 1.8...0.75 A 50/60 Hz; 180VA | | | | | | |
| Input voltage, DC | 18...32V | | | | | | |
| Power consumption, DC | 18...32V; 10.0...5.63 A; 180 W SELV | | | | | | |
| Weight, approx | | | | | | | |
| • Performance | | | | | | | |
| – Aluminum bezel | 7.5 kg (16.5 lb) | 8.5 kg (18.7 lb) | 9.9 kg (21.8 lb) | | 11.1 kg (24.5 lb) | 13.2 kg (29.1 lb) | |
| – Stainless steel bezel | | | 11.1 kg (24.5 lb) | | 12.8 kg (28.2 lb) | 14.5 kg (32 lb) | |
| • Widescreen (16:9) | | | | 10.8 kg (23.8 lb) | | | 13 kg (28.7 lb) |
| Dimensions (HxWxD), approx | | | | | | | |
| • Performance | | | | | | | |
| • Advanced | 251 x 353 x 108 mm (9.88 x 13.90 x 4.25 in.) | 279 x 349 x 99 mm (10.98 x 13.74 x 3.91 in.) | 309 x 410 x 95 mm (12.16 x 16.14 x 3.74 in.) | | 284 x 447 x 106.4 mm (11.18 x 17.6 x 4.19 in.) | 355 x 449 x 103 mm (13.97 x 17.68 x 4.06 in.) | 399.3 x 481.6 x 106.4 mm (15.72 x 18.96 x 4.19 in.) |
| Cutout dimensions (HxWxD) | — | 254 x 324 mm (10 x 12.76 in.) | 285.6 x 386.6 mm (11.24 x 15.22 in.) | | 260.2 x 420 mm (10.24 x 16.54 in.) | 329.5 x 424.0 mm (12.97 x 16.69 in.) | 363.5 x 449.6 mm (14.31 x 17.7 in.) |
| Mount options | <ul style="list-style-type: none"> Wall Bookshelf Table top | Panel | | | | | |

(1) All display models have four external USB 3.0 ports and one internal USB 3.0 port. Display models with an aluminum bezel have an extra external USB 3.0 port on the bezel (behind the front access cover).

(2) 6181P computers do not ship with the Windows XP Professional operating system but Windows XP system images are available from the Rockwell Automation Product Compatibility and Download Center: <http://www.rockwellautomation.com/support/pcdc.page>.

Dimensions - Integrated Display Computer

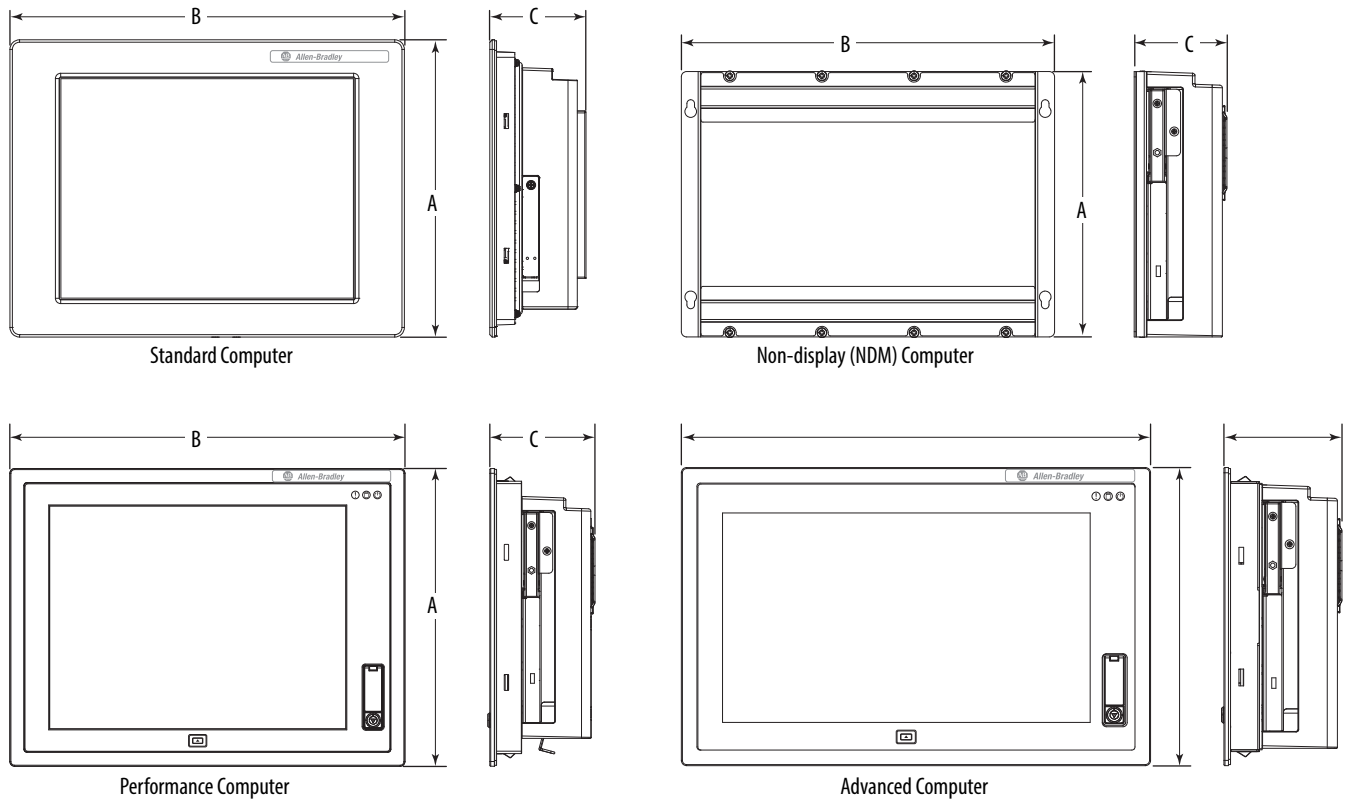


Table 5 - Dimensions - Integrated Display Computers

| 6181P/6181F Integrated Display Computer | Overall Height A | Overall Width B | Overall Depth C | Cutout Width | Cutout Height |
|--|----------------------|---------------------|---------------------|----------------------|----------------------|
| Non-display (NDM) | | | | | |
| Performance | 251 mm (9.88 in.) | 353 mm (13.90 in.) | 100.7 mm (3.96 in.) | — | — |
| 1200P | | | | | |
| Standard | 279 mm (10.98 in.) | 349 mm (13.74 in.) | 99 mm (3.91 in.) | 324 mm (12.76 in.) | 254 mm (10 in.) |
| Performance | 279 mm (10.98 in.) | 349 mm (13.74 in.) | 103 mm (4.06 in.) | | |
| 1500P | | | | | |
| Standard | 309 mm (12.16 in.) | 410 mm (16.14 in.) | 95 mm (3.74 in.) | 386.6 mm (15.22 in.) | 285.6 mm (11.24 in.) |
| Performance | 309 mm (12.16 in.) | 408.9 mm (16.1 in.) | 103 mm (4.06 in.) | | |
| Advanced | 284 mm (11.18 in.) | 447 mm (17.6 in.) | 106.4 mm (4.19 in.) | 420 mm (16.54 in.) | 260.2 mm (10.24 in.) |
| 1700P | | | | | |
| Standard | 356 mm (14.01 in.) | 452 mm (17.80 in.) | 95 mm (3.74 in.) | 424 mm (16.69 in.) | 329.5 mm (12.97 in.) |
| Performance | 355 mm (13.97 in.) | 449 mm (17.68 in.) | 103 mm (4.06 in.) | | |
| 1900P | | | | | |
| Performance | 356 mm (14.01 in.) | 452 mm (17.80 in.) | 100 mm (3.94 in.) | 449.6 mm (17.7 in.) | 363.5 mm (14.31 in.) |
| Advanced | 339.3 mm (13.36 in.) | 515.6 mm (20.3 in.) | 106.4 mm (4.19 in.) | 493 mm (19.41 in.) | 321 mm (12.64 in.) |

Hazardous Location Computers

With both Class 1 Division 2 and ATEX hazardous location certification, this extreme environment computer can be safely used globally in areas where explosive materials can be present. The display version of this computer mounts in a panel while the non-display version mounts on a wall. Both computers can withstand temperatures of $-20...70\text{ }^{\circ}\text{C}$ ($-4...158\text{ }^{\circ}\text{F}$) inside a cabinet or enclosure. The surface temperature on the front of the display computer can withstand temperatures in the range $-20...55\text{ }^{\circ}\text{C}$ ($-4...131\text{ }^{\circ}\text{F}$).



Table 6 - Environmental Specifications - Hazardous Location Computers

| Attribute | 1200XT Non-display, 1200XT Display (12 in.) |
|--|--|
| Temperature, operating 6181X-NPXPDC, non-display 6181X-12TPXPDC, display | $-20...70\text{ }^{\circ}\text{C}$ ($-4...158\text{ }^{\circ}\text{F}$) $-20...55\text{ }^{\circ}\text{C}$ ($-4...131\text{ }^{\circ}\text{F}$), display side $-20...70\text{ }^{\circ}\text{C}$ ($-4...158\text{ }^{\circ}\text{F}$), back side |
| Temperature, nonoperating | $-30...80\text{ }^{\circ}\text{C}$ ($-22...176\text{ }^{\circ}\text{F}$) |
| Relative humidity | 10...90% noncondensing |
| Altitude, operating | 2,000 m (6,561 ft) |
| Altitude, nonoperating | 12,000 m (40,000 ft) |
| Vibration, operating | 0.012 in. p-p 10...57 Hz 2 g peak at 57...640 Hz |
| Shock, operating | 15 g (1/2 sine, 11 ms) |
| Shock, nonoperating | 30 g (1/2 sine, 11 ms) |
| Enclosure ratings (display models) | UL NEMA Type 4X and 12 IP66 as classified by UL |

Table 7 - Hazardous Location Ratings by Region

| Computer Model | Cat. Nos. | Region | Rating | Temperature Range | |
|------------------|--|---------------|--|---|--|
| Non-display | 6181X-NPXPDC, 6181X-NPW7DC | United States | Class I Division 2, Groups A, B, C, D T4 | $-20\text{ }^{\circ}\text{C} \leq T_a \leq 70\text{ }^{\circ}\text{C}^{(1)}$ ($-4\text{ }^{\circ}\text{F} \leq T_a \leq 158\text{ }^{\circ}\text{F}$) | |
| | | | Class I Zone 2, IIC, T4 | | |
| | | Canada | Class I Division 2, Groups A, B, C, D T4 | | |
| | | | Class I Zone 2, IIC, T4 | | |
| Europe | ATEX II 3 GD, Ex nA IIC Gc, Ex tc IIIC Dc | | | | |
| Global/IECEx | II 3 GD, Ex nA nC IIC T4 Gc, Ex tc IIIC T135 °C Dc | | | | |
| Display (12 in.) | 6181X-12TPXPDC, 6181X-12TPW7DC | United States | Class I Division 2, Groups A, B, C, D T4 | $-20\text{ }^{\circ}\text{C} < T_a < 55\text{ }^{\circ}\text{C}$ ($-4\text{ }^{\circ}\text{F} \leq T_a \leq 131\text{ }^{\circ}\text{F}$) (display side) | |
| | | | Class I Zone 2, IIC, T4 | | |
| | | Canada | Class I Division 2, Groups A, B, C, D T4 | | $-20\text{ }^{\circ}\text{C} < T_a < 70\text{ }^{\circ}\text{C}$ ($-4\text{ }^{\circ}\text{F} < T_a < 158\text{ }^{\circ}\text{F}$) (backside) ⁽¹⁾ |
| | | | Class I Zone 2, IIC, T4 | | |
| Europe | ATEX II 3 GD, Ex nA nC IIC T4 Gc, Ex tc IIIC T135 °C Dc | | | | |
| Global/IECEx | II 3 GD, Ex nA nC IIC T4 Gc, Ex tc IIIC T135 °C Dc | | | | |

(1) The entire non-display computer and the backside of the display computer are required to be mounted in a restricted access location.

Table 8 - Certifications

| Attribute ⁽¹⁾ | 1200XT Non-display, 1200XT Display | | | | | | | | | | | | | | | | | | | | | | | | | | | | | | | | | | | | | | | | | | | | | | | | | | | | | | | | | | | | | | | | | | | | | |
|----------------------------------|---|--------|-----------|--------------|------------|--------------|--|--|--------|--------|--------|--------------|------------|--------------|--------------|---|---|---|---|---|---|--------------|---|---|---|---|---|---|-------------------------------|---|---|---|---|---|---|------------------------|---|---|---|---|---|---|-----------------------|---|---|---|---|---|---|---------------------|---|---|---|---|---|---|----------------------------------|---|---|---|---|---|---|--------------|---|---|---|---|---|---|
| cULus | UL/c-UL Listed as Information Technology Equipment for use in Hazardous Locations per standards ANSI/ISA 12.12.01, CSA C22.2 No. 213 Enclosure Type ratings per UL50 and CSA C22.2 No. 94.2-07 Enclosure ingress protection Classified by UL per IEC 60529 | | | | | | | | | | | | | | | | | | | | | | | | | | | | | | | | | | | | | | | | | | | | | | | | | | | | | | | | | | | | | | | | | | | | | |
| IECEX | IEC60079-0 2011 IEC60079-15 2010 IEC60079-31 2008 IECEX DNV 14.0011X (for display computers) IECEX DNV 14.0011U (for non-display computers) | | | | | | | | | | | | | | | | | | | | | | | | | | | | | | | | | | | | | | | | | | | | | | | | | | | | | | | | | | | | | | | | | | | | | |
| ATEX | EN60079-0 2012 EN60079-15 2010 EN60079-31 2009 DNV 11 ATEX 94276X (for display computers) DNV 11 ATEX 94276U (for non-display computers) | | | | | | | | | | | | | | | | | | | | | | | | | | | | | | | | | | | | | | | | | | | | | | | | | | | | | | | | | | | | | | | | | | | | | |
| CE | EMC 2004/108/EEC • Immunity standards: EN55024 • Emission standards: EN55022 Class A ATEX 94/9/EC Waste Electrical and Electronic Equipment (WEEE) 2002/96/EC Metric Directive 80/181-EEC EU Battery Directive 2006/66/EC Low Voltage Directive: LVD 2006/95/EC • EN 60950-1 | | | | | | | | | | | | | | | | | | | | | | | | | | | | | | | | | | | | | | | | | | | | | | | | | | | | | | | | | | | | | | | | | | | | | |
| FCC | Class A emissions | | | | | | | | | | | | | | | | | | | | | | | | | | | | | | | | | | | | | | | | | | | | | | | | | | | | | | | | | | | | | | | | | | | | | |
| RoHS | <p>European RoHS 2011/65/EU</p> <p>China RoHS:</p> <p>表格上的信息表示本产品中含有少量的某些材料, 这只适用于中国ROHS. 在这些产品上会有一个显示 " 环境友好使用期限 " 的标签. 这个期限是估算的 " 产品不会有泄露或者突变 " 的年限. 这个产品可能含有某些可替换元件, 这些元件的环境友好使用期限可能比较短. 这些元件会有单独标记.</p> <table border="1"> <thead> <tr> <th rowspan="2">部件名称</th> <th colspan="6">有毒有害物质或元素</th> </tr> <tr> <th>铅 (Pb)</th> <th>汞 (Hg)</th> <th>镉 (Cd)</th> <th>六价铬 (Cr(VI))</th> <th>多溴联苯 (PBB)</th> <th>多溴二苯醚 (PBDE)</th> </tr> </thead> <tbody> <tr> <td>壳体 (Housing)</td> <td>X</td> <td>○</td> <td>○</td> <td>○</td> <td>○</td> <td>○</td> </tr> <tr> <td>显示 (Display)</td> <td>X</td> <td>○</td> <td>○</td> <td>○</td> <td>○</td> <td>○</td> </tr> <tr> <td>印刷电路板 (Printed Circuit Board)</td> <td>X</td> <td>○</td> <td>○</td> <td>○</td> <td>○</td> <td>○</td> </tr> <tr> <td>金属螺帽 (Metal Fasteners)</td> <td>X</td> <td>○</td> <td>○</td> <td>○</td> <td>○</td> <td>○</td> </tr> <tr> <td>电缆组装 (Cable Assembly)</td> <td>X</td> <td>○</td> <td>○</td> <td>○</td> <td>○</td> <td>○</td> </tr> <tr> <td>风扇组装 (Fan Assembly)</td> <td>X</td> <td>○</td> <td>○</td> <td>○</td> <td>○</td> <td>○</td> </tr> <tr> <td>电力供应组装 (Power Supply Assemblies)</td> <td>X</td> <td>○</td> <td>○</td> <td>○</td> <td>○</td> <td>○</td> </tr> <tr> <td>电池 (Battery)</td> <td>○</td> <td>○</td> <td>○</td> <td>○</td> <td>○</td> <td>○</td> </tr> </tbody> </table> <p>O: 表示该有毒有害物质在该部件所有均质材料中的含量均在SJ/T11363-2006 标准规定的限量要求以下。 X: 表示该有毒有害物质至少在该部件的某一均质材料中的含量超出SJ/T11363-2006 标准规定的限量要求。(企业可在此处, 根据实际情况对上表中打 "X" 的技术原因进行进一步说明。)</p> <p>这个产品可能含有某些可替换元件, 这些元件的环境友好使用期限可能比较短. 这些元件会有单独标记.</p> <p>电池: 10 年</p> <p>Turkey RoHS (EEE Yönetmeliğine Uygundur. In Conformity with the EEE Regulation)</p> | 部件名称 | 有毒有害物质或元素 | | | | | | 铅 (Pb) | 汞 (Hg) | 镉 (Cd) | 六价铬 (Cr(VI)) | 多溴联苯 (PBB) | 多溴二苯醚 (PBDE) | 壳体 (Housing) | X | ○ | ○ | ○ | ○ | ○ | 显示 (Display) | X | ○ | ○ | ○ | ○ | ○ | 印刷电路板 (Printed Circuit Board) | X | ○ | ○ | ○ | ○ | ○ | 金属螺帽 (Metal Fasteners) | X | ○ | ○ | ○ | ○ | ○ | 电缆组装 (Cable Assembly) | X | ○ | ○ | ○ | ○ | ○ | 风扇组装 (Fan Assembly) | X | ○ | ○ | ○ | ○ | ○ | 电力供应组装 (Power Supply Assemblies) | X | ○ | ○ | ○ | ○ | ○ | 电池 (Battery) | ○ | ○ | ○ | ○ | ○ | ○ |
| 部件名称 | 有毒有害物质或元素 | | | | | | | | | | | | | | | | | | | | | | | | | | | | | | | | | | | | | | | | | | | | | | | | | | | | | | | | | | | | | | | | | | | | | |
| | 铅 (Pb) | 汞 (Hg) | 镉 (Cd) | 六价铬 (Cr(VI)) | 多溴联苯 (PBB) | 多溴二苯醚 (PBDE) | | | | | | | | | | | | | | | | | | | | | | | | | | | | | | | | | | | | | | | | | | | | | | | | | | | | | | | | | | | | | | | | |
| 壳体 (Housing) | X | ○ | ○ | ○ | ○ | ○ | | | | | | | | | | | | | | | | | | | | | | | | | | | | | | | | | | | | | | | | | | | | | | | | | | | | | | | | | | | | | | | | |
| 显示 (Display) | X | ○ | ○ | ○ | ○ | ○ | | | | | | | | | | | | | | | | | | | | | | | | | | | | | | | | | | | | | | | | | | | | | | | | | | | | | | | | | | | | | | | | |
| 印刷电路板 (Printed Circuit Board) | X | ○ | ○ | ○ | ○ | ○ | | | | | | | | | | | | | | | | | | | | | | | | | | | | | | | | | | | | | | | | | | | | | | | | | | | | | | | | | | | | | | | | |
| 金属螺帽 (Metal Fasteners) | X | ○ | ○ | ○ | ○ | ○ | | | | | | | | | | | | | | | | | | | | | | | | | | | | | | | | | | | | | | | | | | | | | | | | | | | | | | | | | | | | | | | | |
| 电缆组装 (Cable Assembly) | X | ○ | ○ | ○ | ○ | ○ | | | | | | | | | | | | | | | | | | | | | | | | | | | | | | | | | | | | | | | | | | | | | | | | | | | | | | | | | | | | | | | | |
| 风扇组装 (Fan Assembly) | X | ○ | ○ | ○ | ○ | ○ | | | | | | | | | | | | | | | | | | | | | | | | | | | | | | | | | | | | | | | | | | | | | | | | | | | | | | | | | | | | | | | | |
| 电力供应组装 (Power Supply Assemblies) | X | ○ | ○ | ○ | ○ | ○ | | | | | | | | | | | | | | | | | | | | | | | | | | | | | | | | | | | | | | | | | | | | | | | | | | | | | | | | | | | | | | | | |
| 电池 (Battery) | ○ | ○ | ○ | ○ | ○ | ○ | | | | | | | | | | | | | | | | | | | | | | | | | | | | | | | | | | | | | | | | | | | | | | | | | | | | | | | | | | | | | | | | |
| C-Tick | Australian Radiocommunications Act, compliance with AS/NZS CISPR 22 | | | | | | | | | | | | | | | | | | | | | | | | | | | | | | | | | | | | | | | | | | | | | | | | | | | | | | | | | | | | | | | | | | | | | |

(1) See <http://www.rockwellautomation.com/rockwellautomation/certification/overview.page> for declarations of conformity, certificates, and other certification details.

Table 9 - Technical Specifications - 6181X Hazardous Location Computers

| Attribute | 1200XT Non-display | 1200XT Display |
|-------------------------------------|---|--|
| Display type | No display | Active matrix color TFT |
| Touch screen | — | Resistive anti-glare, sunlight readable |
| Display size, diagonal | — | 308 mm (12.1 in.) |
| Display area (WxH) | — | 246 x 185 mm (9.7 x 7.3 in.) |
| Resolution | — | 800 x 600, 16.2M colors |
| Display brightness | — | 600 cd/m ² , typical |
| Contrast ratio | — | 1500:1, typical |
| View angle | — | 178° typical |
| Status indicator backlight lifetime | — | 50,000 hours max at 25 °C (77 °F) |
| Bezel | — | Aluminum |
| Processor | Intel Core Duo U2500, 1.2 GHz | |
| RAM | 2 GB DDR2 installed (4 GB max) | |
| Storage drive | 8 GB CompactFlash solid-state drive | |
| Expansion slots | 1 half-length PCI | |
| CompactFlash Type II slot | 2 bootable slots | |
| • External | • Hot-swappable storage drive slot | |
| • Internal | • True IDE, 8 GB min CompactFlash drive installed | |
| I/O connections | <ul style="list-style-type: none"> • 2 serial COM ports • 4 USB 2.0 ports, hot-swappable • 2 Ethernet LAN ports, 1 Gb each • 1 DVI-I port | |
| Operating system | Windows 7 Professional (32 bit), Service Pack 1 Windows XP Professional, Service Pack 3 | |
| Input voltage, DC | 18...32V DC | |
| Power consumption, DC (max) | 18...32V DC (SELV), 2.46...1.34 A, 45 W | 18...32V DC (SELV), 3.28...1.79 A, 60 W |
| Heat dissipation ⁽¹⁾ | 45 W (154 BTU/h) | 60 W (205 BTU/h) |
| Weight, approx | 6.1 kg (13.45 lb) | 8.4 kg (18.52 lb) |
| Dimensions (HxWxD), approx | 251 x 353 x 83.4 mm 7.50 x 13.20 x 3.28 in. | 279 x 349 x 101.2 mm 10.98 x 13.74 x 3.98 in. |
| Cutout dimensions (HxWxD) | — | 254 x 324 mm 10 x 12.76 in. |
| Mount options | Wall | Panel |

(1) Add-in cards and peripherals are included in the heat dissipation value.

Dimensions - Hazardous Location Computers

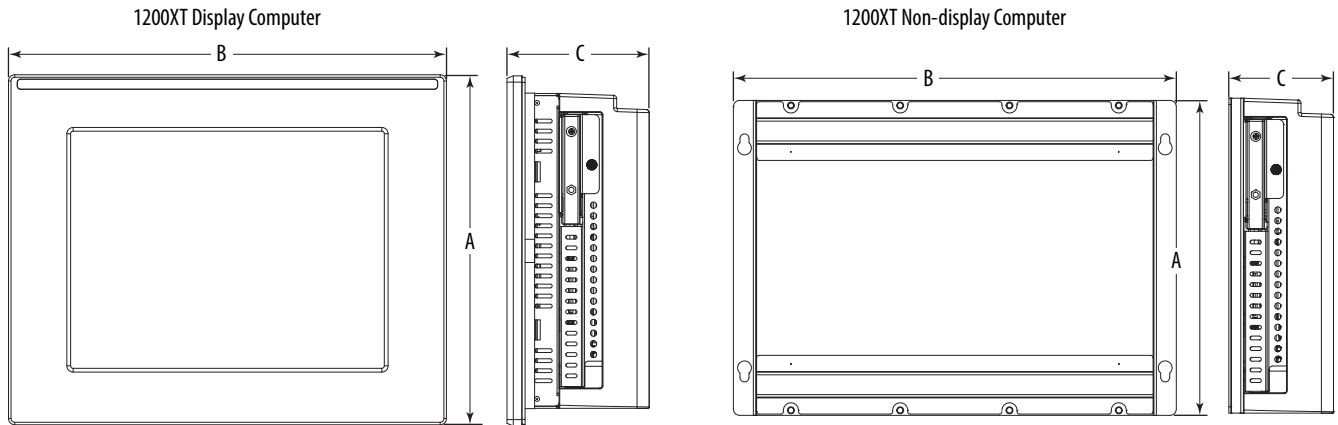


Table 10 - Dimensions - Hazardous Location Computers

| 6181X Hazardous Location Computer | Overall Height A | Overall Width B | Overall Depth C |
|--|-----------------------------|----------------------------|----------------------------|
| 1200XT display | 279 mm (10.98 in.) | 349 mm (13.74 in.) | 101.2 mm (3.98 in.) |
| 1200XT non-display | 190 mm (7.5 in.) | 335 mm (13.20 in.) | 83.4 mm (3.28 in.) |

Integrated Display Computers with Keypad



As either an operator input station or an industrial computer, the 6180P platform features an integrated display and a programmable keypad in the same unit. The absence of external monitor cables and separate component-mounting requirements allows for simple system integration. With an operating temperature range of 0...55 °C (32...131 °F), these panel mount computers can withstand demanding factory-floor applications.

Table 11 - Environmental Specifications - 6180P Display Computers with Keypad

| Attribute | 1200P, 1500P |
|--|--|
| Temperature, operating | 0...55 °C (32...131 °F) |
| Temperature, nonoperating | -20...60 °C (-4...140 °F) |
| Relative humidity, operating ⁽¹⁾ | 20...85% noncondensing |
| Relative humidity, nonoperating ⁽²⁾ | 5...90% noncondensing |
| Vibration, operating | 0.006 in. p-p 10...57 Hz, 1 g peak at 57...640 Hz |
| Vibration, nonoperating | 0.012 in. p-p, (10...57 Hz), 2 g peak, (57...640 Hz) |
| Shock, operating | 15 g (1/2 sine, 11 ms) |
| Shock, nonoperating | 30 g (1/2 sine, 11 ms) |
| Enclosure ratings | NEMA Type 1, 12, 4 IEC IP66 |

(1) Derate above 40 °C to 45% at 50 °C.

(2) Derate above 40 °C to 39% at 60 °C.

Table 12 - Certifications - 6180P Display Computers with Keypad

| Certification ⁽¹⁾ | 1200P, 1500P |
|------------------------------|---|
| cULus | UL/c-UL Listed per UL 60950-1 and CSA C22.2 No. 60950-1 |
| CE | Marked for all applicable directives EMC 2004/108/EC (as amended by 92/31/EEC and 93/68/EEC) LVD 2006/95/EC |
| C-Tick | Australian Radiocommunications Act, compliance with: AS/NZS CISPR 22; Industrial Emissions |
| RoHS | China |

(1) When marked. See the Product Certification link at <http://www.rockwellautomation.com/rockwellautomation/certification/overview.page> for declarations of conformity, certificates, and other certification details.

Table 13 - Technical Specifications - 6180P Integrated Display Computers with Keypad

| Attribute | 1200P | 1500P |
|----------------------------|---|---|
| Display type | Color active-matrix TFT flat panel | Color active-matrix TFT flat panel |
| Display size, diagonal | 12.1 in. (307 mm) | 15 in. (381 mm) |
| Display area (WxH) | 246 x 185 mm (9.7 x 7.3 in.) | 305 x 229 mm (12 x 9 in.) |
| Resolution | 800 x 600, native mode, 256K colors | 1024 x 768, native mode, 256K colors |
| Luminance | 250 cd/m ² Nits | 350 cd/m ² Nits |
| Response time, max | 20 ms | 20 ms |
| Touch screen option | Resistive antiglare | |
| Keypad description | 36 function keys Full alphanumeric keypad | 44 function keys Full alphanumeric keypad |
| Processor | Standard Performance Celeron M 1.86 GHz Core Duo 2.0 GHz | Celeron M 1.86 GHz Core Duo 2.0 GHz |
| RAM | Standard Performance 1 GB DDR2 2 GB DDR2 | 1 GB DDR2 2 GB DDR2 |
| Storage drive | 250 GB, 3.5-in. SATA hard disk drive | 250 GB, 3.5-in. SATA hard disk drive |
| Optical storage device | Standard Performance DVD-ROM/CD-RW drive DVD-RW drive | |
| Expansion slots | 2 full-length PCI, 1 half-length PCI, 1 full-length ISA | |
| I/O connections | <ul style="list-style-type: none"> • 2 serial ports • 1 parallel port • 6 USB 2.0 ports, • 2 GB Ethernet LAN ports • 1 DVI-I port • 3 audio ports | |
| Operating system | Windows XP Professional SP3 | |
| Input voltage, AC | 90...264V AC autoranging, 47...63 | |
| Power consumption, AC | 160VA (1.6 A at 100V rms, 0.67 A at 240V rms) | |
| Input voltage, DC | 19...32V DC | |
| Power consumption, DC | 180 W (7.5 A at 24V DC) | |
| Inrush current at 24V | 20 A peak, ms | |
| Weight, approx | 17.0 kg (37.4 lb) | 18.5 kg (40.8 lb) |
| Dimensions (HxWxD), approx | 311 x 483 x 225 mm (12.25 x 19.01 x 8.86 in.) | 355 x 483 x 225 mm (13.97 x 19.01 x 8.86 in.) |
| Cutout dimensions (HxWxD) | 279 x 450 mm (10.98 x 17.72 in.) | 326.4 x 429.3 mm (12.85 x 16.90 in.) |
| Mount options | Panel | Panel |

Dimensions - Integrated Display with Keypad

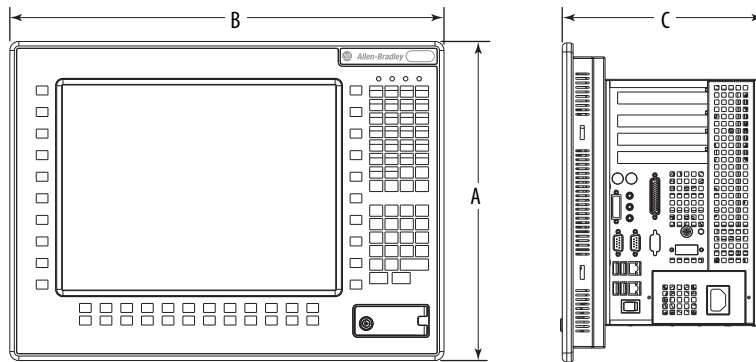


Table 14 - Dimensions - Integrated Display Computers with Keypad

| 6180P Display Computer with Keypad | Overall Height A | Overall Width B | Overall Depth C | Cutout Width | Cutout Height |
|---|-----------------------------|----------------------------|----------------------------|----------------------|----------------------|
| 1200P | 311 mm (12.25 in.) | 483 mm (19.01 in.) | 225 mm (8.86 in.) | 450 mm (17.72 in.) | 279 mm (10.98 in.) |
| 1500P | 355 mm (13.97 in.) | 483 mm (19.01 in.) | 225 mm (8.86 in.) | 429.3 mm (16.90 in.) | 326.4 mm (12.85 in.) |

Non-display Computers

The 6177R non-display computers take advantage of the Intel second-generation core processors to provide powerful platforms that are suited with excellent reliability for industrial environments. These computers are available in rugged machine-mount and rack-mount form factors and offer powerful remote management, onboard backup/restore, and integrated diagnostic capabilities.



Table 15 - Environmental Specifications - 6177R Non-display Computers

| Attribute | 750R, 1450R | |
|---------------------------|---|------------------|
| Temperature, operating | 0...50 °C (32...122 °F) | |
| Temperature, nonoperating | -20...60 °C (-4...140 °F) | |
| Relative humidity | 10...90% noncondensing | |
| Vibration, operating | 0.006 in. p-p 10...57 Hz, 1 g peak at 57...640 Hz | |
| Vibration, nonoperating | 0.012 in. p-p 10...57 Hz, 2 g peak at 57...640 Hz | |
| Shock, operating | 15 g (1/2 sine, 11 ms) | |
| Shock, nonoperating | 30 g (1/2 sine, 11 ms) | |
| Acoustic noise, idle | 750R | 44.3 dB at 50 cm |
| | 1450R | 46.6 dB at 50 cm |
| Acoustic noise, max | 750R | 63.4 dB at 50 cm |
| | 1450R | 64.4 dB at 50 cm |

Table 16 - Certifications - 6177R Non-display Computers

| Certification ⁽¹⁾ | 750R, 1450R |
|------------------------------|---|
| cULus | Safety: UL/c-UL Listed per UL 60950-1 |
| CE | Immunity standards: EN55024, EN6100-3-2, EN6100-3-3 Emission standards: EN55022 Class A Low Voltage Directive: LVD 2006/95/EC |
| FCCR | Class A emissions |
| C-Tick | Emissions standards: AS/NZS CISPR 22 Class A |
| KCC | Emissions standards: Class A 이 기기는 업무용(A급) 전자파적합기기로서 판매자 또는 사용자는 이 점을 주의하시기 바라며, 가정외의 지역에서 사용하는 것을 목적으로 합니다. |
| RoHS | European China |

(1) When marked. See the Product Certification link at <http://www.rockwellautomation.com/rockwellautomation/certification/overview.page> for declarations of conformity, certificates, and other certification details.

Table 17 - Technical Specifications - 6177R Non-display Computers

| Attribute | 750R | 1450R |
|--|---|--|
| Display type | Requires external monitor | Requires external monitor |
| Available operating systems Performance Advanced Server | Windows 7 Professional (64 bit) SP1, Windows XP Professional SP3, or no operating system Windows Embedded 8.1 Industry Professional or Windows 7 Professional (64 bit) SP1 Windows Server 2012 Standard R2, Windows Server 2008 R2 SP1, or no operating system | |
| Processor Performance Advanced Server | Intel Core i3-2120, 3.3 GHz Intel Core i5-2400, 3.1 GHz Intel Core i5-2400, 3.1 GHz | Intel Core i3-2120, 3.3 GHz Intel Core i5-2400, 3.1 GHz Intel Core i5-2400, 3.1 GHz |
| Ethernet LAN | 2 ports, 10/100/1000 Mbps | |
| RAM memory Performance Advanced Server | 4 GB DDR3, 32 GB max 8 GB DDR3, 32 GB max 8 GB DDR3, 32 GB max | 4 GB DDR3, 32 GB max 8 GB DDR3, 32 GB max 8 GB DDR3, 32 GB max |
| Storage drive Performance Advanced Server | (1) 500 GB, 3.5-in. SATA HDD (1) 500 GB, 3.5-in. SATA HDD (2) 500 GB, 3.5-in. SATA HDD | (1) 500 GB, 3.5-in. SATA HDD (1) 500 GB, 3.5-in. SATA HDD (2) 500 GB, 3.5-in. SATA HDD |
| RAID 1 enabled Performance Advanced Server | No No Yes | No No Yes |
| RAID capabilities | RAID 0 or RAID 1 with second HDD installed and RAID array configured | |
| Optical disc drive (ODD) | DVD-RW | DVD-RW |
| Expansion slots | <ul style="list-style-type: none"> • 1 PCI (750R) or 4 PCI (1450R) • 1 PCI Express x16 • 1 PCI Express x4 • 1 PCI Express x1 | |
| I/O ports | <ul style="list-style-type: none"> • 1 PS/2 keyboard • 1 PS/2 mouse • 2 serial • 1 parallel • 2 Ethernet (10/100/1000) • 7 USB 2.0 ports (4 rear, 2 front, 1 internal) • 2 USB 3.0 ports (1 rear, 1 front) • 1 eSATAp (5V, 500 mA) • 2 DVI (DVI-1, DVI-D) DVI-1 port converts to VGA with supplied adapter • Audio line in, audio line out and microphone | |
| Input voltage, AC | 100...240V, autoranging | |
| Line frequency | 50...60 Hz | |
| Power consumption, AC | 10 A at 100V rms, 5 A at 240V rms | |
| Input voltage, DC | — | — |
| Power consumption, DC | — | — |
| Weight, approx | 13.8 kg (30.36 lb) | 14.0 kg (30.80 lb) |
| Dimensions (HxWxD), approx | 360 x 170 x 381 mm (14.17 x 6.69 x 15.01 in.) | 176 x 431 x 465 mm (6.93 x 16.97 x 18.31 in.) |
| Mount options | Machine mount | 4U rack mount |

Dimensions - Non-display Computers

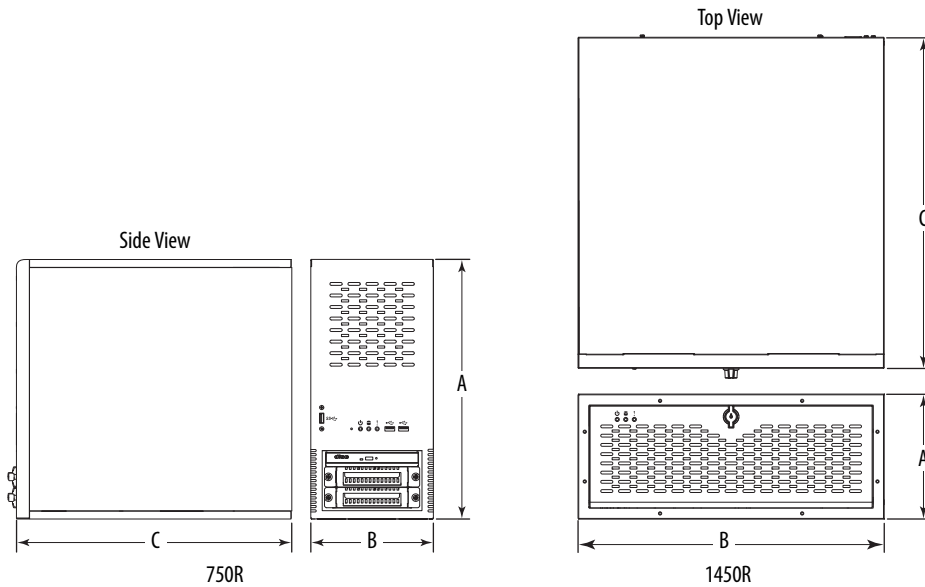


Table 18 - Dimensions - Non-display Computers

| 6177R Non-display Computers | Overall Height A | Overall Width B | Overall Depth C |
|--------------------------------|---------------------|--------------------|--------------------|
| 750R | 360 mm (14.17 in.) | 170 mm (6.69 in.) | 381 mm (15.01 in.) |
| 1400R | 176 mm (6.93 in.) | 431 mm (16.97 in.) | 465 mm (18.31 in.) |

Compact Non-display Computers



These fanless computers provide a durable computer option for harsh environments and require less space than most computers. Designed without fans, the 6155F/6155R non-display computers come with either a mission-critical solid-state drive or a continuous-duty hard disk drive. Combine these features with the Windows Embedded Standard 2009 or Windows XP Professional operating system and you have the ideal platform for running visualization, control, or maintenance applications.

Table 19 - Environmental Specifications - 6155R/6155F Compact Non-display Computers

| Attribute | 6155R, 6155F |
|---------------------------|--|
| Temperature, operating | 0...55 °C (32...131 °F) |
| Temperature, nonoperating | -20...60 °C (-4...140 °F) |
| Relative humidity | 10...90% noncondensing |
| Vibration, operating | 6155R 0.006 in. p-p 10...57 Hz, 1 g peak at 57...640 Hz 6155F 0.012 in. p-p 10...57 Hz, 2 g peak at 57...640 Hz |
| Vibration, nonoperating | 0.012 in. p-p 10...57 Hz 2 g peak at 57...640 Hz |
| Shock, operating | 15 g (1/2 sine, 11 ms) |
| Shock, nonoperating | 30 g (1/2 sine, 11 ms) |

Table 20 - Certifications - 6155R/6155F Compact Non-display Computers

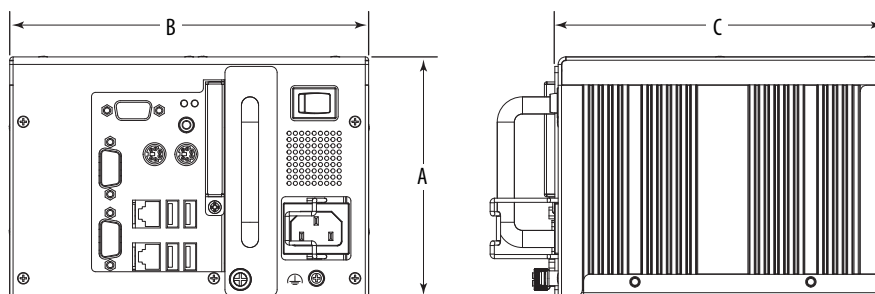
| Certification ⁽¹⁾ | 6155R, 6155F |
|------------------------------|---|
| cULus | UL/c-UL Listed per UL 60950-1 and CSA C22.2 No. 60950-1-03 |
| CE | Marked for all applicable directives EMC 2004/108/EC LVD 2006/95/EC |
| C-Tick | Australian Radiocommunications Act, compliance with: AS/NZS CISPR 11; Industrial Emissions |
| RoHS | European China |

(1) When marked. See the Product Certification link at <http://www.rockwellautomation.com/rockwellautomation/certification/overview.page> for declarations of conformity, certificates, and other certification details.

Table 21 - Technical Specifications - 6155R/6155F Compact Non-display Computers

| Attribute | 6155R | 6155F |
|-----------------------------|--|---|
| Display type | Requires external monitor | Requires external monitor |
| Processor | Celeron M 1 GHz Celeron M 1 GHz | No standard model Celeron M 1 GHz |
| RAM | 1 GB (2 GB, max) 2 GB (2 GB, max) | No standard model 2 GB (2 GB, max) |
| Storage drive | 100 GB SATA hard disk drive | 32 GB SATA 2.5-in. solid-state drive |
| Expansion slots | None | None |
| CompactFlash Type II | 2 slots, 1 internal, 1 external | 2 slots, 1 internal, 1 external |
| I/O | Standard <ul style="list-style-type: none"> 1 PS/2 keyboard port 1 PS/2 mouse port 1 serial port 1 Ethernet 10/100/1000 Mbps port 4 USB 2.0 ports 1 VGA port Audio line out | No standard model |
| | Performance <ul style="list-style-type: none"> 1 PS/2 keyboard port 1 PS/2 mouse port 2 serial ports 2 Ethernet 10/100/1000 Mbps ports | <ul style="list-style-type: none"> 4 USB 2.0 ports 1 VGA port Audio line out |
| Available operating systems | Windows XP Professional SP3 | <ul style="list-style-type: none"> Windows XP Professional SP3 Windows Embedded Standard 2009 |
| Supported software | Suite of FactoryTalk View software products and RSView [®] 32 | |
| Input voltage, AC | 100...240V AC autoranging, 47...63 | |
| Power consumption, AC | 35 W (0.64 A at 100V rms, 0.37 A at 240V rms) | |
| Input voltage, DC | 9...36V DC | |
| Power consumption, DC | 35 W (3.89 A at 9V DC, 0.97 A at 36V DC) | |
| Weight, approx | 5 kg (11 lb) | |
| Dimensions (HxWxD), approx | 115 x 172 x 158 mm (4.51 x 6.77 x 6.22 in.) | |
| Mount options | <ul style="list-style-type: none"> DIN rail Machine mount VESA mount | |

Dimensions - Compact Non-display Computers

**Table 22 - Dimensions - Compact Non-display Computers**

| 6155R/F Compact Non-display Computer | Overall Height A | Overall Width B | Overall Depth C |
|---|---------------------|--------------------|----------------------------------|
| 200R | 115 mm (4.51 in.) | 172 mm (6.77 in.) | 158 mm (6.22 in.) ⁽¹⁾ |

(1) Depth excludes handle and connectors.

Industrial Monitors

The Allen-Bradley LCD flat-panel industrial monitors are designed to operate in rugged industrial environments. With various mount configurations and interface options, the industrial monitors can meet the needs of visualization applications on the factory floor or in a control room.

Combine these monitors with any of the Allen-Bradley non-display computers to create a visualization, maintenance, control, or information-computing solution.

Table 23 - Industrial Monitors Comparison

| Characteristic | Standard Monitors 6176M | Performance Monitors 6186M |
|------------------------------------|--|--|
| Display | 1550M: 15 in. color TFT 1750M: 17 in. color TFT 1950M: 19 in. color TFT | 1200M: 12.1 in. color TFT 1500M: 15 in. color TFT 1700M: 17 in. color TFT 1900M: 19 in. color TFT |
| Available bezels | <ul style="list-style-type: none"> Aluminum Plastic (reinforced steel) | <ul style="list-style-type: none"> Aluminum Stainless steel |
| Resolution | 1550M: 1024 x 768, 16.7M colors 1750M/1950M: 1280 x 1024, 16.7M colors | 1200M: 800 x 600, 256K colors 1500M: 1024 x 768, 16.7M colors 1700M/1900M: 1280 x 1024, 16.7M colors |
| Touch screen | Resistive antiglare RS-232 and USB inputs, model dependent | Resistive antiglare RS-232 and USB inputs, model dependent |
| Contrast ratio | 1550M: 400:1 1750M/1950M: 800:1 | 1200M: 600:1 1500M: 400:1 1700M: 1000:1 1900M: 1300:1 |
| Luminance | 1550M: 350 cd/m ² (Nits) 1750M/1950M: 300 cd/m ² (Nits) | 1500M/1700M: 450 cd/m ² (Nits) 1700M/1900M: 300 cd/m ² (Nits) |
| Video input signal | DVI and VGA (analog) | DVI and VGA (analog) |
| OS drivers, touch screen | <ul style="list-style-type: none"> Windows XP Pro (series B or later) Windows Server 2003 (series B or later) Windows 7 Pro 32 bit (series B or later) Windows 7 Pro 64 bit (series C or later) Windows Server 2008 (series C or later) | <ul style="list-style-type: none"> Windows XP Pro (series F or later) Windows Server 2003 (series F or later) Windows 7 Pro 32 bit (series F or later) Windows 7 Pro 64 bit (series G or later) Windows Server 2008 (series G or later) |
| Power | AC or DC | AC or DC |
| Environmental conditions | | |
| Temperature | 0...45 °C (32...113 °F) | 1200M/1500M: 0...55 °C (32...131 °F) 1700M/1900M: 0...50 °C (32...122 °F) |
| Shock (operating/nonoperating) | 15 g/20 g | 20 g/30 g |
| Vibration (operating/nonoperating) | 1 g/2 g | 2 g/2 g Rated Class 1 Division 2 for hazardous locations Preferred computer: 6181X hazardous location |
| Mount options | <ul style="list-style-type: none"> Panel VESA Bench/tabletop Rack (only 1900M) | <ul style="list-style-type: none"> Panel Bench/tabletop Rack (only 1900M) |

Performance Monitors

The 6186M performance monitors are best suited for special purpose environments, such as Class 1 Division 2, and Food & Beverage areas, providing excellent protection against heat, shock, and vibration.



Table 24 - Environmental Specifications - 6186M Performance Monitors

| Attribute | 1200M, 1500M, 1700M, 1900M |
|----------------------------------|--|
| Temperature, operating | 0...55 °C (32...131 °F) |
| 1200M, 1500M | 0...50 °C (32...122 °F) |
| 1700M, 1900M | |
| Temperature, nonoperating | -20...60 °C (-4...140 °F) |
| Relative humidity | 10...90% noncondensing |
| Vibration, operating | 2 g at 10...640 Hz |
| Vibration, nonoperating | 2 g at 10...640 Hz |
| Shock, operating | 20 g (1/2 sine, 11 ms) |
| Shock, nonoperating | 30 g (1/2 sine, 11 ms) |
| Enclosure ratings ⁽¹⁾ | NEMA / UL 50 Type 1, 4, 4X, 12, and IEC IP66 |

(1) Applies only to panel-mounted monitors.

Table 25 - Certifications - 6186M Performance Monitors

| Certification ⁽¹⁾ | 1200M, 1500M, 1700M, 1900M |
|------------------------------|---|
| cULus | UL Listed per UL 60950-1 UL 1604 Hazardous Locations, Class 1, Division 2 (when marked) on nameplate C-UL per CSA C22.2 No. 60950-1-03 UL 60079-15 Hazardous Locations, Class 1, Zone 2, Group IIC (when marked on nameplate) CSA Hazardous Locations per C22.2 No. 213 (when marked) |
| CE | Marked for all applicable directives |
| C-Tick | Australian Radiocommunications Act, compliance with: AS/NZS CISPR 11; Industrial Emissions |

(1) When marked. See the Product Certification link at <http://www.rockwellautomation.com/rockwellautomation/certification/overview.page> for declarations of conformity, certificates, and other certification details.

Table 26 - Technical Specifications - 6186M Performance Monitors

| Attribute | 1200M | 1500M | 1700M | 1900M |
|-------------------------------------|--|---|---|--|
| Display type | Color active-matrix TFT LCD | | | |
| Display size, diagonal | 12.1 in. (307 mm) | 15 in. (381 mm) | 17 in. (432 mm) | 19 in. (483 mm) |
| Display area (WxH) | 246 x 185 mm (9.7 x 7.3 in.) | 305 x 229 mm (12 x 9 in.) | 338 x 270 mm (13.3 x 10.6 in.) | 377x 302 mm (14.8 x 11.9 in.) |
| Resolution, native mode | 800 x 600 262K colors | 1024 x 768 16.2M colors | 1280 x 1024 16.7M colors | |
| Luminance | 450 cd/m ² Nits | | 300 cd/m ² Nits | |
| Contrast ratio | 600:1, typical | 400:1, typical | 1000:1, typical | 1300:1, typical |
| Response time (rise and fall), max | 35 ms | 16 ms | 8 ms | |
| Status indicator backlight lifetime | 50,000 hours at 25 °C (77 °F) | | | |
| Bezel | Aluminum | <ul style="list-style-type: none"> • Aluminum • Stainless steel | | |
| Touch screen option | Resistive antiglare (RS-232 and USB inputs), model dependent | | | |
| OS drivers, touch screen | Windows XP Pro (series F or later) Windows Server 2003 (series F or later) Windows 7 Pro 32 bit (series F or later) Windows 7 Pro 64 bit (series G or later) Windows Server 2008 (series G or later) | | | |
| USB hub | (2) rear USB 2.0 ports, 500 mA per port (1) front USB 2.0 port, 500 mA (only on aluminum bezel models) | | | |
| Video input signal | DVI and VGA | | | |
| Video input connectors | HD-15 VGA for analog video signal DVI for digital video signal | | | |
| OSD controls (on rear) | <ul style="list-style-type: none"> • Automatic screen setup (OSD) • Brightness • Contrast • Horizontal position • Vertical position • Image lock • Color balance • Sync detect | | | |
| Input voltage, AC | 100...240V AC autoranging, 47...63, requires power adapter | | | |
| Power consumption | 34 W | 34 W | 55 W | 57 W |
| Input voltage, DC | 9...36V DC (24V DC nominal) | | | |
| Weight, approx | 4.4 kg (9.75 lb) | <ul style="list-style-type: none"> • Aluminum: 7.3 kg (16.0 lb) • Stainless steel: 8.6 kg (19.0 lb) | <ul style="list-style-type: none"> • Aluminum: 8.6 kg (19.0 lb) • Stainless steel: 10.1 kg (22.25 lb) | <ul style="list-style-type: none"> • Aluminum: 10.2 kg (22.5 lb) • Stainless steel: 11.9 kg (26.25 lb) |
| Dimensions (HxWxD), approx | 260 x 340 x 61 mm (10.24 x 13.39 x 2.40 in.) | 309 x 410 x 61 mm (12.17 x 16.14 x 2.40 in.) | 356 x 452 x 61 mm (14.02 x 17.80 x 2.40 in.) | 399 x 483 x 64 mm (15.71 x 19.02 x 2.52 in.) |
| Cutout dimensions (HxWxD) | 238 x 318 mm (9.37 x 12.51 in.) | 285.6 x 386.6 mm (11.24 x 15.22 in.) | 329.5 x 424 mm (12.97 x 16.69 in.) | 363.5 x 449.6 mm (14.31 x 17.70 in.) |
| Mount options | <ul style="list-style-type: none"> • Panel • Bench/tabletop • Rack • DIN-rail for AC power adapter | | | <ul style="list-style-type: none"> • Panel • Bench/tabletop • DIN-rail for AC power adapter |

Dimensions - Performance Monitors

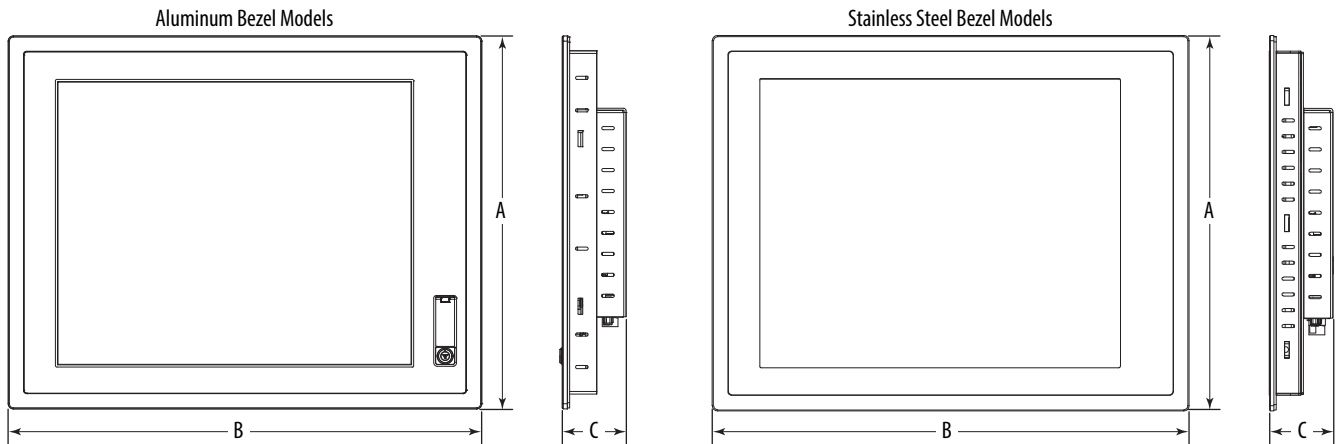


Table 27 - Dimensions - 6186M Performance Monitors

| 6186M Model | Height A | Width B | Depth C | Cutout Height | Cutout Width |
|-------------|--------------------|--------------------|------------------|----------------------|----------------------|
| 1200M | 260 mm (10.24 in.) | 340 mm (13.39 in.) | 61 mm (2.40 in.) | 238 mm (9.37 in.) | 318 mm (12.51 in.) |
| 1500M | 309 mm (12.17 in.) | 410 mm (16.14 in.) | | 285.6 mm (11.24 in.) | 386.6 mm (15.22 in.) |
| 1700M | 356 mm (14.02 in.) | 452 mm (17.80 in.) | | 329.5 mm (12.97 in.) | 424 mm (16.69 in.) |
| 1900M | 399 mm (15.71 in.) | 483 mm (19.02 in.) | 64 mm (2.52 in.) | 363.5 mm (14.31 in.) | 449.6 mm (17.70 in.) |

Standard Monitors

The 6176M standard monitors are designed for less demanding environments, still providing industrial ratings for temperature, shock, and vibration.



Table 28 - Environmental Specifications - 6176M Standard Monitors

| Attribute | 1550M, 1750M, 1950M |
|----------------------------------|---------------------------|
| Temperature, operating | 0...45 °C (32...113 °F) |
| Temperature, nonoperating | -20...60 °C (-4...140 °F) |
| Relative humidity | 10...90% noncondensing |
| Vibration, operating | 1 g at 53...640 Hz |
| Vibration, nonoperating | 2 g at 53...640 Hz |
| Shock, operating | 15 g (1/2 sine, 11 ms) |
| Shock, nonoperating | 20 g (1/2 sine, 11 ms) |
| Enclosure ratings ⁽¹⁾ | NEMA Type 4, 12, IEC IP66 |

(1) Applies only to panel-mounted monitors.

Table 29 - Certifications - 6176M Standard Monitors

| Certification ⁽¹⁾ | 1550M, 1750M, 1950M |
|------------------------------|---|
| UL/c-UL | Listed |
| CE | Marked for all applicable directives |
| C-Tick | Australian Radiocommunications Act, compliance with: AS/NZS CISPR 11; Industrial Emissions |
| RoHS | China RoHS, European RoHS |

(1) When marked. See the Product Certification link at <http://www.rockwellautomation.com/rockwellautomation/certification/overview.page> for declarations of conformity, certificates, and other certification details.

Table 30 - Technical Specifications - 6176M Standard Monitors

| Attribute | 1550M | 1750M | 1950M | | |
|-------------------------------------|---|---|---|--|--------------------------------------|
| Display type | Color active-matrix TFT LCD | | | | |
| Display size, diagonal | 15 in. (381 mm) | 17 in. (432 mm) | 19 in. (483 mm) | | |
| Display area (WxH) | 305 x 229 mm (12.0 x 9.0 in.) | 338 x 270 mm (13.3 x 10.7 in.) | 377x 302 mm (14.8 x 11.9 in.) | | |
| Resolution | 1024 x 768, 16.7M colors | | | | |
| Luminance | 350 cd/m ² Nits | | | | |
| Contrast ratio, typical | 400:1 | 800:1 | | | |
| Response time, max | 4 ms (fall) 12 ms (rise) | 3 ms (fall) 6 ms (rise) | | | |
| Status indicator backlight lifetime | 50,000 hours at 25 °C (77 °F) | | | | |
| Available bezels | <ul style="list-style-type: none"> Plastic (reinforced steel) Aluminum alloy | | | | |
| Touch screen option | Resistive antiglare (RS-232 and USB inputs), model dependent | | | | |
| Touch screen controller | Series A and B Series C | Panjit EETI | | | |
| OS drivers, touch screen | Series A and B Series C | Windows XP Pro, Windows Server 2003 (32 bit), Windows 7 Pro (32 bit) Windows XP Pro, Windows Server 2003 (32 bit), Windows 7 Pro (32 bit and 64 bit), Windows Server 2008 (64 bit) | | | |
| USB hub | (2) USB 2.0, 500 mA per port | | | | |
| Video input signal | VGA and DVI (system auto-select) | | | | |
| Video input connectors | HD-15 VGA for analog video signal DVI for digital video signal | | | | |
| OSD controls | Rear controls: automatic screen setup (OSD), brightness, contrast, horizontal position, vertical position, image lock, color balance, sync detect | | | | |
| Input voltage, AC | 90...264V AC autoranging, 47...63 | | | | |
| Power consumption | 2.0 A at 24 W | 3 A at 36 W | 3.5 A at 42 W | | |
| Input voltage, DC | 12V DC, power adapter required | | | | |
| Weight, approx | VESA mount Panel mount | 3.1 kg (6.82 lb) 4.1 kg (9.02 lb) | 4.6 kg (10.12 lb) 5.7 kg (12.54 lb) | 6.0 kg (13.20 lb) 7.5 kg (16.50 lb) | |
| Dimensions (HxWxD), approx | VESA mount Panel mount | 282.6 x 383.6 x 50.0 mm (11.0 x 15.0 x 2.0 in.) 309 x 410 x 50 mm (12.2 x 16.1 x 2.0 in.) | 326.5 x 421.0 x 53.0 mm (12.9 x 16.6 x 2.1 in.) 356 x 452 x 53 mm (14.0 x 17.8 x 2.1 in.) | 357 x 444 x 58 mm (14.1 x 17.5 x 2.3 in.) 399.3 x 482.6 x 58.0 mm (15.7 x 19.0 x 2.3 in.) | |
| Dimensions cutout (HxW), approx | Panel mount | 285.6 x 386.6 mm (11.24 x 15.22 in.) | | 329.5 x 424.0 mm (12.97 x 16.69 in.) | 363.5 x 449.6 mm (14.31 x 17.70 in.) |
| Mount options | <ul style="list-style-type: none"> VESA Panel Bench/tabletop | <ul style="list-style-type: none"> VESA Panel Bench/tabletop | <ul style="list-style-type: none"> VESA Panel Rack⁽¹⁾ Bench/tabletop | | |

(1) Installs in a standard 19-in. rack.

Dimensions - Standard Monitors

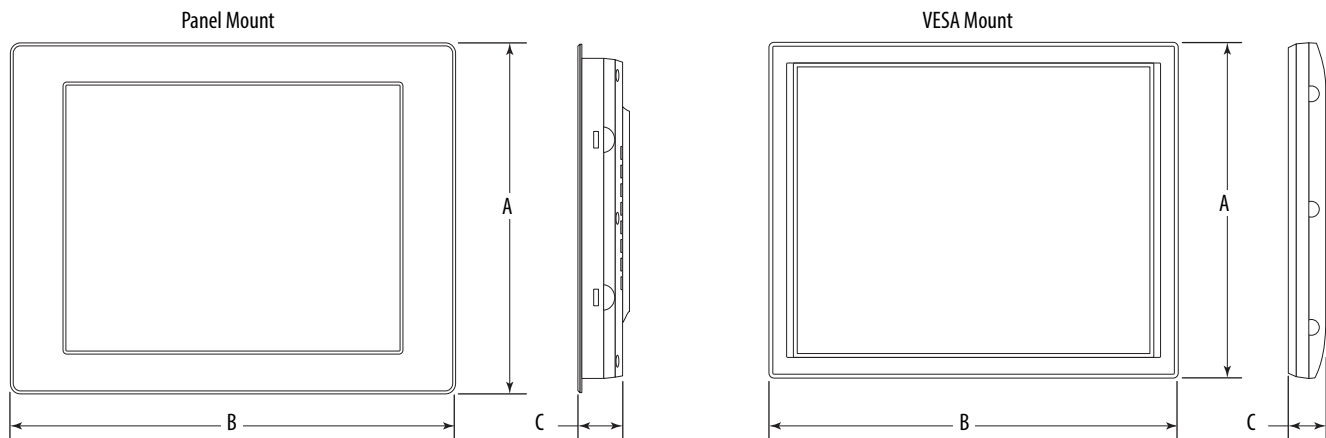


Table 31 - Dimensions - 6176M Standard Industrial Monitors

| 6176M Model | Height A | Width B | Depth C | Cutout Height | Cutout Width |
|--------------|---------------------|---------------------|-----------------|----------------------|----------------------|
| 1550M | | | | | |
| Panel mount | 309 mm (12.3 in.) | 410 mm (16.1 in.) | 50 mm (2.0 in.) | 285.6 mm (11.24 in.) | 386.6 mm (15.22 in.) |
| VESA mount | 282.6 mm (11.0 in.) | 383.6 mm (15.0 in.) | 50 mm (2.0 in.) | — | — |
| 1750M | | | | | |
| Panel mount | 356 mm (14.0 in.) | 452 mm (17.8 in.) | 53 mm (2.1 in.) | 329.5 mm (12.97 in.) | 424 mm (16.69 in.) |
| VESA mount | 326.5 mm (12.9 in.) | 421 mm (16.6 in.) | 53 mm (2.1 in.) | — | — |
| 1950M | | | | | |
| Panel mount | 399.3 mm (15.7 in.) | 482.6 mm (19.0 in.) | 58 mm (2.3 in.) | 363.5 mm (14.31 in.) | 449.6 mm (17.70 in.) |
| VESA mount | 357 mm (14.1 in.) | 444 mm (17.5 in.) | 58 mm (2.3 in.) | — | — |

HMI Software

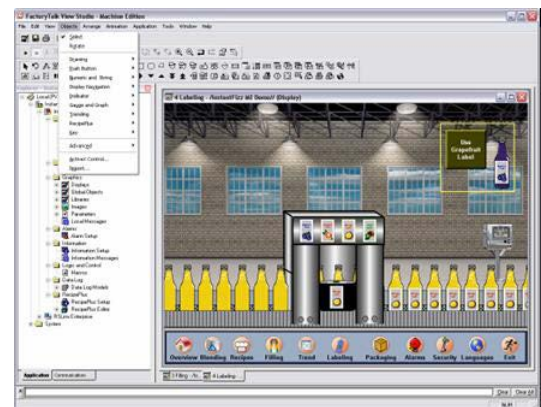
The Allen-Bradley industrial computers support the full suite of Rockwell Software solutions, including Integrated Architecture and FactoryTalk View software. Combine this hardware and software to assure comprehensive application support from an industry leader.

FactoryTalk View performance and visibility HMI software are designed with a common look, feel, and navigation to help speed HMI development and training time. The visualization strategy combines Rockwell Automation expertise in industrialized personal computer hardware with Rockwell Software supervisory control software.

For a complete list of available HMI software, visit <http://www.rockwellautomation.com/rockwellsoftware>.

FactoryTalk View Machine Edition Software

FactoryTalk View Machine Edition (ME) software supports both open and embedded operator interface solutions for monitoring and controlling individual machines or small processes. This software features a consistent operator interface across multiple platforms, including Microsoft Windows 8.1, 8, 7, Vista, XP, Server, and Embedded Compact solutions. FactoryTalk View ME software consists of a design and runtime environment.



FactoryTalk View Studio Software

FactoryTalk View Studio software is the design environment to create and test HMI applications, including graphic displays, trends, alarms, and real-time animation. Runtime files can be generated to run on a PanelView™ Plus terminal or industrial computer.

FactoryTalk View ME Station

FactoryTalk View ME Station is the runtime environment for HMI applications. FactoryTalk View ME Station is automatically installed and activated on PanelView Plus terminals. FactoryTalk View ME activation is required when running HMI applications on industrial computers.

FactoryTalk View ME offers many advantages:

- Alarms to alert operators to conditions that require immediate action
- Security to restrict operator access to specific displays
- RecipePlus for machine or process recipe management
- Display text supports up to 20 languages per application, so operators can switch language at runtime
- Global and predefined objects are time and memory savers
- Studio 5000 and Logix Designer process faceplates
- Ability to convert runtime application to design application
- Transfer parameters for reuse in displays and design efficiency

FactoryTalk View Site Edition Software

FactoryTalk View Site Edition (SE) software is an HMI for developing supervisory-level monitoring and control applications. Its architecture is scalable to a wide range of applications, from standalone, one-server/one-client applications to multi-server/multi-client applications. Runtime servers and clients are supported for customers to develop and deploy a multi-server/multi-client application.

FactoryTalk View SE applications are created and tested within the FactoryTalk View Studio design environment:

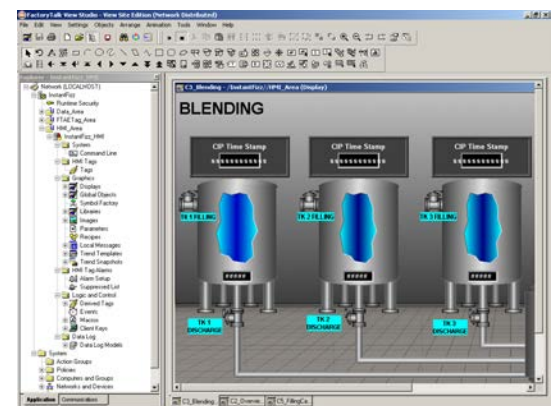
- Share data and seamless integration with other FactoryTalk enabled products. The FactoryTalk Services Platform provides common services, such as security, alarms, and diagnostics across products.
- Optimize plant communication with FactoryTalk Live Data and premier connectivity to Allen-Bradley controllers.
- Access tag information directly in the controller to eliminate HMI tags.
- Configure an application from anywhere on the network to change a running system with a remote, multi-user configuration capability.
- Define graphic displays once and reference them throughout a distributed system.
- Provide an audit trail of operator and alarm information in a centralized log database.
- Customize the operator experience by using client-side VBA and the exposed graphics object model.



FactoryTalk View Studio Software

FactoryTalk View Machine Edition and FactoryTalk View Site Edition share a common design environment that is called FactoryTalk View Studio to create applications. The ability to edit and reuse projects in FactoryTalk View Studio improves portability between embedded machine and supervisory HMI systems.

With FactoryTalk View software, all products in the suite are built on the same integrated, scalable architecture. Application developers can import entire machine-level applications into supervisory-level applications or drag individual components and drop them right into supervisory projects, which saves development time and reduces engineering and training costs.



Plus, help protect your current HMI investments by importing PanelBuil31

der™32 (PanelView) applications into FactoryTalk View ME software and RSVIEW®32 applications into FactoryTalk View SE software.

With FactoryTalk View Studio software, you can do the following:

- Configure one operator station or an entire distributed application from one location.
- Access tags from OPC servers throughout the system via a tag browser that presents direct controller tags and HMI tags in a logical hierarchy.
- Remotely configure RSLinx® and FactoryTalk View SE servers.
- Create displays by using a full-featured graphics editor.
- Define display text in multiple languages, so operators can switch language at runtime.
- Use pre-engineered faceplates to interface with the process control functions in the Logix controllers.

FactoryTalk ViewPoint Software

An add-on to FactoryTalk View SE software and PanelView Plus 6 or 7 terminals, FactoryTalk ViewPoint software provides on-demand access to important information about your plant or process from a web browser. Plant managers, supervisors, OEMs, system integrators, and other key stakeholders can now access, monitor, and interact with plant floor operations from virtually any location. The thin-client configuration means no client software to install and maintain, which lowers total cost of ownership:

- Fully scalable, animated web applications viewable in the office, at home, or on the road.
- Gives managers, OEMs, and system integrators read and write capability to both view and control real-time plant floor operations by logging in to an internet browser.
- Provides read and write capabilities to monitor operations.
- Gain fast access to real-time information by using a standard web browser.
- Supports multiple browsers and client devices for increased flexibility.
- Lets FactoryTalk View projects be web-enabled without any necessary application changes.
- Monitor and control HMI applications, perform diagnostics, and provide remote support.



Software Comparison

Table 32 - Software Technology

| Customer Requirements | FactoryTalk View Site Edition (SE) | FactoryTalk View Machine Edition (ME) | RSView32 |
|----------------------------|---|---|---|
| Operating systems (32 bit) | <ul style="list-style-type: none"> Windows XP SP3 Windows 7 Professional Windows Vista Business Windows Server 2003 R2 SP3 Windows Server 2008 SP2 | <ul style="list-style-type: none"> Windows 8.1 Professional Windows 8.1 Enterprise Windows 8 Professional Windows 8 Enterprise Windows 7 Professional SP1 Windows Server 2008 R2 Standard SP2 Windows Vista Business SP2 Windows XP Professional SP3 Windows Server 2003 R2 Standard SP2 | <ul style="list-style-type: none"> Windows 7 Professional Windows XP Professional SP1 or later Windows Server 2008 Standard SP2 Windows Vista Business SP1 or later Windows Vista Home Basic SP1 or later Windows Server 2003 R2 Standard SP2 Windows Server 2000 SP4 Windows 2000 Professional SP4 |
| Operating systems (64 bit) | <ul style="list-style-type: none"> Windows 7 Professional SP1 Windows Server 2008 R2 and SP2 | <ul style="list-style-type: none"> Windows 8.1 Professional Windows 8.1 Enterprise Windows 8 Professional Windows 8 Enterprise Windows 7 Ultimate SP1 Windows 7 Professional SP1 Windows 7 Enterprise SP1 Windows Server 2012 Standard Windows Server 2012 R2 Standard Windows Server 2008 Standard Windows Server 2008 Enterprise SP1 Windows Server 2008 R2 Standard SP2 Windows Server 2003 R2 Standard SP2 | |
| Embedded platforms | | ✓ | |
| Windows domain security | ✓ | ✓ | ✓ |
| OPC/ActiveX | ✓ | ✓ | ✓ |
| FactoryTalk enabled | ✓ | ✓ | ✓ |
| Server-side VBA | | | ✓ |
| Client-side VBA | ✓ | | |

Table 33 - Software Architecture

| Customer Requirements | FactoryTalk View SE | | FactoryTalk View ME | RSView32 |
|----------------------------------|--|-------|-------------------------------|---|
| Primary application | Supervisory level; single station up to multiple server, multiple client | | Machine level; single station | Supervisory level; single station up to single server, multiple client |
| Tag-based HMI | ✓ | | ✓ | <ul style="list-style-type: none"> Windows XP/2000/NT/9x/ Windows Server 2003 |
| Direct reference capability | ✓ | | ✓ | |
| | Network (Distributed) | Local | | |
| Max Number of servers/clients | 10/50 | | | 1/20 |
| FactoryTalk ViewPoint | ✓ | ✓ | ✓ ⁽¹⁾ | ✓ |
| RSView32 WebServer | | | | ✓ |
| Thin clients (terminal services) | ✓ | | | ✓ |
| Multi-user development | ✓ | | | |
| Remote configuration at runtime | ✓ | | | |
| Redundancy - data server | ✓ | | | |
| Redundancy - HMI server | ✓ | | | Active display |

(1) Supported only on PanelView Plus 7 terminals.

Table 34 - Software Features

| Customer Requirements | FactoryTalk View SE | FactoryTalk View ME | RSView32 |
|--|--|--|---|
| Animation - visibility, color, fill, horizontal and vertical position, width, height, rotation, horizontal and vertical slider, and more | And touch | No touch animation | And touch |
| Alarms | <ul style="list-style-type: none"> FactoryTalk Alarms and Events HMI alarms Digital and analog Defined alarm severities Alarm log | <ul style="list-style-type: none"> Tag-based (from controller) Alarm log | <ul style="list-style-type: none"> Tag-based Digital and analog Definable alarm severities Alarm log |
| Data logging | <ul style="list-style-type: none"> 20 data log models per project Each with up to 10,000 tags Log to ODBC or proprietary database | <ul style="list-style-type: none"> 1 data log model per project With up to 100 tags 1,000K records max Export to dbf | <ul style="list-style-type: none"> 20 plus data log models per project Each with up to 10,000 tags Log to ODBC or proprietary database |
| Trend version | TrendX 4.0 | TrendX 4.0 subset | TrendX 3.1 and native |
| Security | <ul style="list-style-type: none"> Assigned to tags, graphic displays, macros, commands, OLE objects Local or Windows security | <ul style="list-style-type: none"> Display-based Local or Windows security | <ul style="list-style-type: none"> Assigned to tags, graphic displays, macros, commands, OLE objects Local or Windows security |
| Other features | <ul style="list-style-type: none"> Test run macros Derived tags Event detector | <ul style="list-style-type: none"> Test run macros Derived tags S/B test run macros-derived tags | <ul style="list-style-type: none"> Test run macros Derived tags Event detector |
| Price model | <ul style="list-style-type: none"> Display-based Multiple levels | <ul style="list-style-type: none"> Included with PanelView Plus 7 or display-based Multiple levels for FactoryTalk View ME Station | <ul style="list-style-type: none"> Tag-based Multiple levels |

Table 35 - FactoryTalk View Site Edition (SE) Software

| Installation Type | Software Installed | Hardware Requirements (min) |
|-------------------------|---|---|
| Operator workstation | FactoryTalk View SE Client or FactoryTalk View SE Station | <ul style="list-style-type: none"> Intel Core 2 Duo 2 GB memory |
| Engineering workstation | <ul style="list-style-type: none"> FactoryTalk View Studio Enterprise RSLinx Classic RSLinx Enterprise Studio5000 | <ul style="list-style-type: none"> Intel Core 2 Duo 4 GB memory |
| Application server | <ul style="list-style-type: none"> FactoryTalk View SE Server FactoryTalk View Studio Enterprise FactoryTalk View Alarms and Tags based Server RSLinx Enterprise Data Server with FactoryTalk alarms and events enabled | <p>Smaller system:</p> <ul style="list-style-type: none"> Intel Core 2 Duo 2 GB memory <p>Medium to larger systems:</p> <ul style="list-style-type: none"> Quad core Intel Xeon 4 GB memory |

| Cat. No. | Description ⁽¹⁾ |
|--|---|
| To choose your preferred language, replace the xx in the catalog number with EN for English, DE for German, FR for French, JP for Japanese, or ZH for Chinese. | |
| 9701-VWSTxxE | FactoryTalk View Studio for FactoryTalk View Enterprise - configuration software to develop and test machine level and supervisory level HMI applications |
| 9701-VWSCWAxxE | FactoryTalk View SE Client - software to view and interact with FactoryTalk View SE Servers ⁽²⁾ |
| 9701-VWSCRAxxE | FactoryTalk View SE View Client - provides read-only capabilities |
| 9701-VWSB015AxxE | FactoryTalk View SE Station 15 display |
| 9701-VWSB025AxxE | FactoryTalk View SE Station 25 display |
| 9701-VWSB100AxxE | FactoryTalk View SE Station 100 display |
| 9701-VWSB250AxxE | FactoryTalk View SE Station 250 display |
| 9701-VWSB000AxxE | FactoryTalk View SE Station unlimited display |
| 9701-VWSS025LxxE | FactoryTalk View SE Server 25 display with RSLinx Enterprise |
| 9701-VWSS100LxxE | FactoryTalk View SE Server 100 display with RSLinx Enterprise |
| 9701-VWSS250LxxE | FactoryTalk View SE Server 250 display with RSLinx Enterprise |
| 9701-VWSS000LxxE | FactoryTalk View SE Server unlimited display with RSLinx Enterprise |

(1) FactoryTalk View Station and FactoryTalk View SE Server include RSLinx Enterprise and RSLinx Classic software, version 2.x.

(2) FactoryTalk View SE Server stores HMI project components and serves to clients, for example, graphic displays.

Table 36 - FactoryTalk ViewPoint Software

| Cat. No. ⁽¹⁾ | Description ⁽²⁾ |
|-------------------------|--|
| 9522-VWP01RENE | FactoryTalk ViewPoint 1-client system |
| 9522-VWP03RENE | FactoryTalk ViewPoint 3-client system |
| 9522-VWP05RENE | FactoryTalk ViewPoint 5-client system |
| 9522-VWP10RENE | FactoryTalk ViewPoint 10-client system |
| 9522-VWP25RENE | FactoryTalk ViewPoint 25-client system |
| 9522-VWP50RENE | FactoryTalk ViewPoint 50-client system |

- (1) Order any of these catalog numbers to use FactoryTalk ViewPoint software with FactoryTalk View SE network or local applications.
- (2) FactoryTalk ViewPoint server and one client access license are included with the purchase of a PanelView Plus 7 terminal. No other catalog numbers are required to use FactoryTalk ViewPoint software with PanelView Plus 7 terminals.

Table 37 - FactoryTalk View Machine Edition (ME) Software

| Cat. No. | Description |
|--|---|
| To choose your preferred language, replace the xx in the catalog number with EN for English, DE for German, FR for French, JP for Japanese, or ZH for Chinese. | |
| 9701-VWSTMxxE | FactoryTalk View Studio for Machine Edition - configuration software to develop and test machine level HMI applications. FactoryTalk View Machine Edition includes RSLinx Enterprise and KEPServer Enterprise software. |

Table 38 - FactoryTalk View ME Station

| Cat. No. | Description ^{(1) (2)} |
|--|--|
| To choose your preferred language, replace the xx in the catalog number with EN for English, DE for German, FR for French, JP for Japanese, or ZH for Chinese. | |
| 9701-VWMR015AxxE | FactoryTalk View ME Station runtime 15 displays |
| 9701-VWMR030AxxE | FactoryTalk View ME Station runtime 30 displays |
| 9701-VWMR075AxxE | FactoryTalk View ME Station runtime 75 displays |
| 9701-VWMR250AxxE | FactoryTalk View ME Station runtime 250 displays |

- (1) FactoryTalk View Machine Edition Station is the runtime environment where FactoryTalk View ME projects created with FactoryTalk View Studio software are run on any computer with a Windows operating system. See [page 30](#) for the available Windows operating systems.
- (2) FactoryTalk View ME Station runtime is included with all PanelView Plus 7 terminals.

Table 39 - RSView32 Software

| Cat. No. | Description ⁽¹⁾ |
|--------------|---|
| 9301-2SE3104 | RSView32 Runtime 150 with RSLinx Classic single node |
| 9301-2SE3103 | RSView32 Runtime 150 with RSLinx Classic OEM, which includes 9301-2SE3100 RSView32 Runtime 150 and 9355-WABSNENE RSLinx Classic single node |
| 9301-2SE3100 | RSView32 Runtime 150 - 150 tag database and standalone runtime |
| 9301-2SE2104 | RSView32 Works 150 with RSLinx Classic single node |
| 9301-2SE2103 | RSView32 Works 150 with RSLinx Classic OEM, which includes 9301-2SE2100 RSView32 Works 150 and 9355-WABSNENE RSLinx Classic single node |
| 9301-2SE2100 | RSView32 Works 150 - 150 tag database that includes development and one embedded runtime |
| 9301-2SE3204 | RSView32 Runtime 300 with RSLinx Classic single node |
| 9301-2SE3203 | RSView32 Runtime 300 with RSLinx Classic OEM, which includes 9301-2SE3203 RSView32 runtime 300 and 9355-WABSNENE RSLinx Classic single node |
| 9301-2SE3200 | RSView32 Runtime 300 - 300 tag database and standalone runtime |
| 9301-2SE2204 | RSView32 Works 300 with RSLinx Classic single node |
| 9301-2SE2203 | RSView32 Works 300 with RSLinx Classic OEM, which includes 9301-2SE2200 RSView32 Works 300 and 9355-WABSNENE RSLinx Classic single node |
| 9301-2SE2200 | RSView32 Works 300 - 300 tag database that includes development and one embedded runtime |

Table 39 - RSView32 Software (continued)

| Cat. No. | Description ⁽¹⁾ |
|-----------------|---|
| 9301-2SE3304 | RSView32 Runtime 1500 with RSLinx Classic single node |
| 9301-2SE3303 | RSView32 Runtime 1500 with RSLinx Classic OEM, which includes 9301-2SE3300 RSView32 runtime 1500 and 9355-WABSNENE RSLinx Classic single node |
| 9301-2SE3300 | RSView32 Runtime 1500 - 1500 tag database and standalone runtime |
| 9301-2SE2304 | RSView32 Works 1500 with RSLinx Classic single node |
| 9301-2SE2303 | RSView32 Works 1500 with RSLinx Classic OEM, which includes 9301-2SE2300 RSView32 Works 1500 and 9355-WABSNENE RSLinx Classic single node |
| 9301-2SE2300 | RSView32 Works 1500 - 1500 tag database that includes development and one embedded runtime |
| 9301-2SE3353 | RSView32 Runtime 5000 with RSLinx Classic OEM, which includes 9301-2SE3500 RSView32 runtime 5000 and 9355-WABSNENE RSLinx Classic single node |
| 9301-2SE3350 | RSView32 Runtime 5000 - 5000 tag database and standalone runtime |
| 9301-2SE2353 | RSView32 Works 5000 with RSLinx Classic OEM, which includes 9301-2SE2350 RSView32 Works 5000 and 9355-WABSNENE RSLinx Classic single node |
| 9301-2SE2350 | RSView32 Works 5000 - 5000 tag database that includes development and one embedded runtime |
| 9301-2SE3403 | RSView32 Runtime 32K with RSLinx Classic OEM, which includes 9301-2SE3400 RSView32 runtime 2K and 9355-WABSNENE RSLinx Classic single node |
| 9301-2SE3400 | RSView32 Runtime 32K - 32,000 tag database and standalone runtime |
| 9301-2SE2403 | RSView32 Works 32K with RSLinx Classic OEM, which includes 9301-2SE2400 RSView32 Works 32K and 9355-WABSNENE RSLinx Classic single node |
| 9301-2SE2400 | RSView32 Works 32K - 32,000 tag database that includes development and one embedded runtime |
| 9301-2SE3503 | RSView32 Runtime 100K with RSLinx Classic OEM, which includes 9301-2SE3500 RSView32 runtime 100K and 9355-WABSNENE RSLinx Classic single node |
| 9301-2SE3500 | RSView32 Runtime 100K - 100,000 tag database and standalone runtime |
| 9301-2SE2503 | RSView32 Works 100K with RSLinx Classic OEM, which includes 9301-2SE2500 RSView32 Works 100K and 9355-WABSNENE RSLinx Classic single node |
| 9301-2SE2500 | RSView32 Works 100K - 100,000 tag database that includes development and one embedded runtime |
| 9301-RSVWSENE | RSView32 WebServer |
| 9301-MSGRPROENE | RSView32 Messenger Pro |

(1) Monitors, controls, and acquires data.

Table 40 - RSView32 Active Display System

| Cat. No. | Description ⁽¹⁾ |
|------------------|---|
| 9305-RSVADSENE | RSView32 Active Display Server that includes one active display server (no clients) |
| 9305-ADSGWENE | RSView32 Active Display Server with FactoryTalk Gateway, which includes one active display server (no clients) and 9355-WABGWENE RSLinx Classic Gateway |
| 9305-RSVADFCENE | RSView32 Active Display Floating Client that includes one client with server-side activation |
| 9305-RSVADDCENE | RSView32 Active Display Dedicated Client that includes one client with client-side activation |
| 9305-RSVADFCVENE | RSView32 Active Display Floating View Client that includes one view-only client with server-side activation |

(1) Client/Server Enhancement to RSView32.

Table 41 - RSView32 Languages

| Cat. No. | Description |
|---|--|
| To choose your preferred language, replace the xx in the catalog number with EN for English, DE for German, ES for Spanish, FR for French, IT for Italian, JP for Japanese, KO for Korean, PT for Portuguese, and ZH for Chinese. | |
| 9301-2SE2100xxE | RSView32 Works 150 |
| 9301-2SE2103xxE | RSView32 Works 150 with RSLinx Classic bundle |
| 9301-2SE2200xxE | RSView32 Works 300 |
| 9301-2SE2203xxE | RSView32 Works 300 with RSLinx Classic bundle |
| 9301-2SE2300xxE | RSView32 Works 1500 |
| 9301-2SE2303xxE | RSView32 Works 1500 with RSLinx Classic bundle |
| 9301-2SE2350xxE | RSView32 Works 5K |
| 9301-2SE2353xxE | RSView32 Works 5K with RSLinx Classic bundle |
| 9301-2SE2400xxE | RSView32 Works 32K |
| 9301-2SE2403xxE | RSView32 Works 32K with RSLinx Classic bundle |
| 9301-2SE2500xxE | RSView32 Works 100K |
| 9301-2SE2503xxE | RSView32 Works 100K with RSLinx Classic bundle |
| 9301-2SE3100xxE | RSView32 Runtime 150 |
| 9301-2SE3103xxE | RSView32 Runtime 150 with RSLinx Classic bundle |
| 9301-2SE3200xxE | RSView32 Runtime 300 |
| 9301-2SE3203xxE | RSView32 Runtime 300 with RSLinx Classic bundle |
| 9301-2SE3300xxE | RSView32 Runtime 1500 |
| 9301-2SE3303xxE | RSView32 Runtime 1500 with RSLinx Classic bundle |
| 9301-2SE3350xxE | RSView32 Runtime 5K |
| 9301-2SE3353xxE | RSView32 Runtime 5K with RSLinx Classic bundle |
| 9301-2SE3400xxE | RSView32 Runtime 32K |
| 9301-2SE3403xxE | RSView32 Runtime 32K with RSLinx Classic bundle |
| 9301-2SE3500xxE | RSView32 Runtime 100K |
| 9301-2SE3503xxE | RSView32 Runtime 100K with RSLinx Classic bundle |
| To choose your preferred language, replace the xx in the catalog number with EN for English, DE for German, ES for Spanish, FR for French, IT for Italian, and PT for Portuguese. | |
| 9305-RSVADSxxE | RSView32 Active Display Server |
| 9305-RSVADFCxxE | RSView32 Active Display Floating Client |
| 9305-RSVADDCxxE | RSView32 Active Display Dedicated Client |
| 9305-RSVADFVxxE | RSView32 Active Display Floating View Client |

Table 42 - Third-party Connectivity

| Cat. No. | Description |
|--------------|--|
| 9301-OPCSRVE | KEPServer Enterprise for RSView32, FactoryTalk View Site Edition, and FactoryTalk View Machine Edition |

More Resources

These documents contain more information about related products from Rockwell Automation.

| Resource | Description |
|---|---|
| Visualization Solutions Selection Guide, VIEW-SG001 | Provides an overview of the visualization products including catalog number selections offered by Rockwell Automation. |
| Integrated Display Computers User Manual, publication 6181P-UM003 | Provides information on installing, making connections, operating, and troubleshooting the computer. |
| Integrated Display Computers with Keypad User Manual, publication 6180P-UM001 | Provides information on installing, making connections, operating, and troubleshooting the computer. |
| Industrial Computers for Hazardous Locations Installation Instructions, publication 6181X-UM001 | Provides information and guidelines for installing, operating, and troubleshooting this computer in hazardous locations and extreme temperature environments. |
| Compact Non-display Computers User Manual, publication 6155R-UM002 | Provides information on installing, making connections, operating, and troubleshooting the computer. |
| Industrial Non-display Computers User Manual, publication 6177R-UM002 | Provides information on installing, making connections, operating, and troubleshooting the 750R and 1450R non-display computers. |
| Cloning Utility Technical Data, publication 6000-TD002 | Provides information on how to create and restore a backup image of your computer's hard disk drive. |
| Diagnostic Utility for Industrial Computers, publication 6000-TG001 | Provides information on how to diagnose hardware issues with industrial computers. |
| EFW and HORM Configuration Utility Technical Data, publication 6000-TD003 | Provides information on how to configure Enhanced Write Filter (EFW) and Hibernate Once, Restore Many (HORM) features for computers with the Windows Embedded Standard 2009 operating system. |
| 6186M Performance Monitors User Manual, publication 6186M-UM002 | Provides details about how to install and mount the monitors, configure video setup, and troubleshoot the monitors. |
| 6176M Standard Monitors User Manual, publication 6176M-UM001 | Provides details about how to install and mount the monitors, configure video setup, and troubleshoot the monitors. |

You can view or download publications at <http://www.rockwellautomation.com/literature>. To order paper copies of technical documentation, contact your local Allen-Bradley distributor or Rockwell Automation sales representative.

Important User Information

Read this document and the documents listed in the additional resources section about installation, configuration, and operation of this equipment before you install, configure, operate, or maintain this product. Users are required to familiarize themselves with installation and wiring instructions in addition to requirements of all applicable codes, laws, and standards.

Activities including installation, adjustments, putting into service, use, assembly, disassembly, and maintenance are required to be carried out by suitably trained personnel in accordance with applicable code of practice.

If this equipment is used in a manner not specified by the manufacturer, the protection provided by the equipment may be impaired.

In no event will Rockwell Automation, Inc. be responsible or liable for indirect or consequential damages resulting from the use or application of this equipment.

The examples and diagrams in this manual are included solely for illustrative purposes. Because of the many variables and requirements associated with any particular installation, Rockwell Automation, Inc. cannot assume responsibility or liability for actual use based on the examples and diagrams.

No patent liability is assumed by Rockwell Automation, Inc. with respect to use of information, circuits, equipment, or software described in this manual.

Reproduction of the contents of this manual, in whole or in part, without written permission of Rockwell Automation, Inc., is prohibited.

Documentation Feedback

Your comments will help us serve your documentation needs better. If you have any suggestions on how to improve this document, complete this form, publication [RA-DU002](#), available at <http://www.rockwellautomation.com/literature/>.

Allen-Bradley, FactoryTalk, Integrated Architecture, PanelBuilder, PanelView, Rockwell Automation, Rockwell Software, RSLinx, RSVision32, and LISTEN. THINK. SOLVE. are trademarks of Rockwell Automation, Inc. Trademarks not belonging to Rockwell Automation are property of their respective companies.

Rockwell Otomasyon Ticaret A.Ş., Kar Plaza İş Merkezi E Blok Kat:6 34752 İçerenköy, İstanbul, Tel: +90 (216) 5698400

www.rockwellautomation.com

Power, Control and Information Solutions Headquarters

Americas: Rockwell Automation, 1201 South Second Street, Milwaukee, WI 53204-2496 USA, Tel: (1) 414.382.2000, Fax: (1) 414.382.4444
Europe/Middle East/Africa: Rockwell Automation NV, Pegasus Park, De Kleetlaan 12a, 1831 Diegem, Belgium, Tel: (32) 2 663 0600, Fax: (32) 2 663 0640
Asia Pacific: Rockwell Automation, Level 14, Core F, Cyberport 3, 100 Cyberport Road, Hong Kong, Tel: (852) 2887 4788, Fax: (852) 2508 1846

Publication IC-TD001E-EN-P - September 2014

Supersedes Publication IC-TD001D-EN-P - April 2013

Copyright © 2014 Rockwell Automation, Inc. All rights reserved. Printed in the U.S.A.