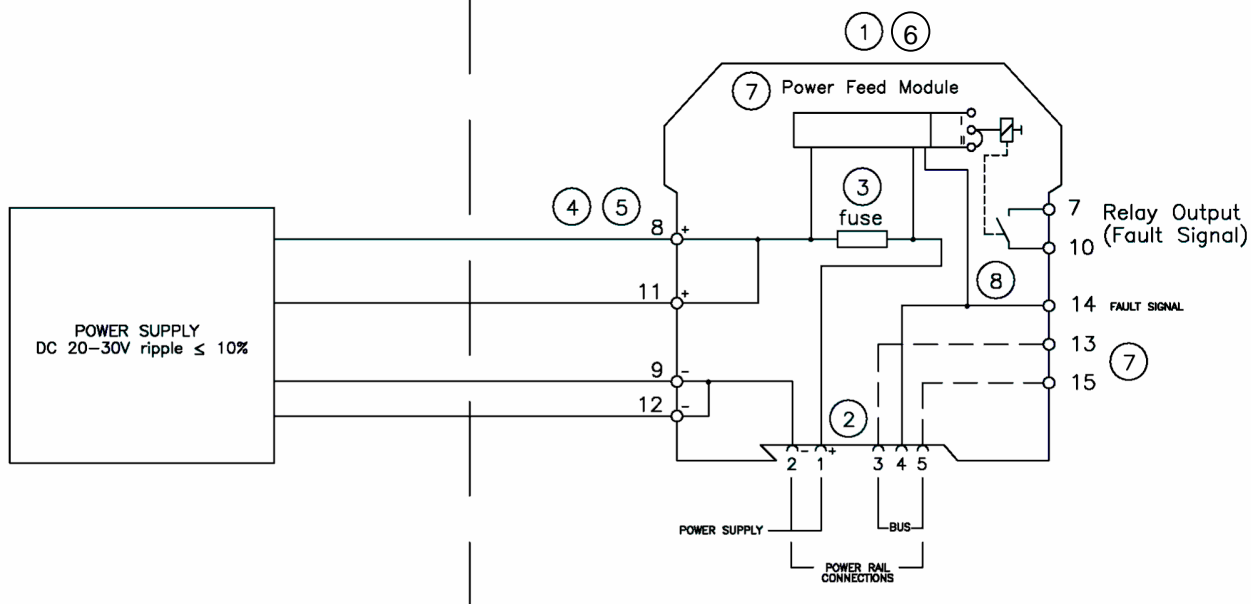


FM Installations

Connections


NON-HAZARDOUS LOCATION

NON-HAZARDOUS LOCATION,
CLASS 1, ZONE 2, GROUP IIC or
CLASS 1, DIVISION 2, GROUPS A,B,C,D



Notes

- These power feed modules are suitable for Division 2/ Zone 2 installation. If the power feed modules are intended to be mounted in a Division 2 location, they must be installed in a suitable enclosure. A temperature rating of T4 ($T_a = 60^\circ\text{C}$) applies for the power feed modules.
- WARNING – DO NOT CONNECT OR DISCONNECT MODULE WHILE CIRCUIT IS LIVE UNLESS LOCATION IS KNOWN TO BE NONHAZARDOUS.
- WARNING – DO NOT REPLACE FUSE WHILE CIRCUIT IS LIVE.
- WARNING – DO NOT REMOVE OR REPLACE PLUG IN TERMINAL BLOCKS UNLESS LOCATION IS KNOWN TO BE NONHAZARDOUS
- Wiring methods must be in accordance with the electrical code of the country in use.
- Models KFD2-EB2, KFD2-EB2.SP, KFD2-EB2.R4A.B, KFD2-EB2.R4A.B.SP, KFD2-EB2.RPI, KFD2-EB2.R4A.RPI
- Connections to bus through terminals 13 and 15 not present on model KFD2-EB2 and KFD2-EB2.SP.
- On power feed modules KFD2-EB2.RPI and KFD2-EB2.R4A.RPI terminals 13, 14 and 15 are used for bus communication only (there is no fault signal on terminal 14).

This document contains safety-relevant information. It must not be altered without the authorization of a NE EX		
	Only valid as long as released in EDM	date: 16-12-2015
 Global	Control Drawing KFD2-EB2-*	116-0160D
		sheet 1 of 1